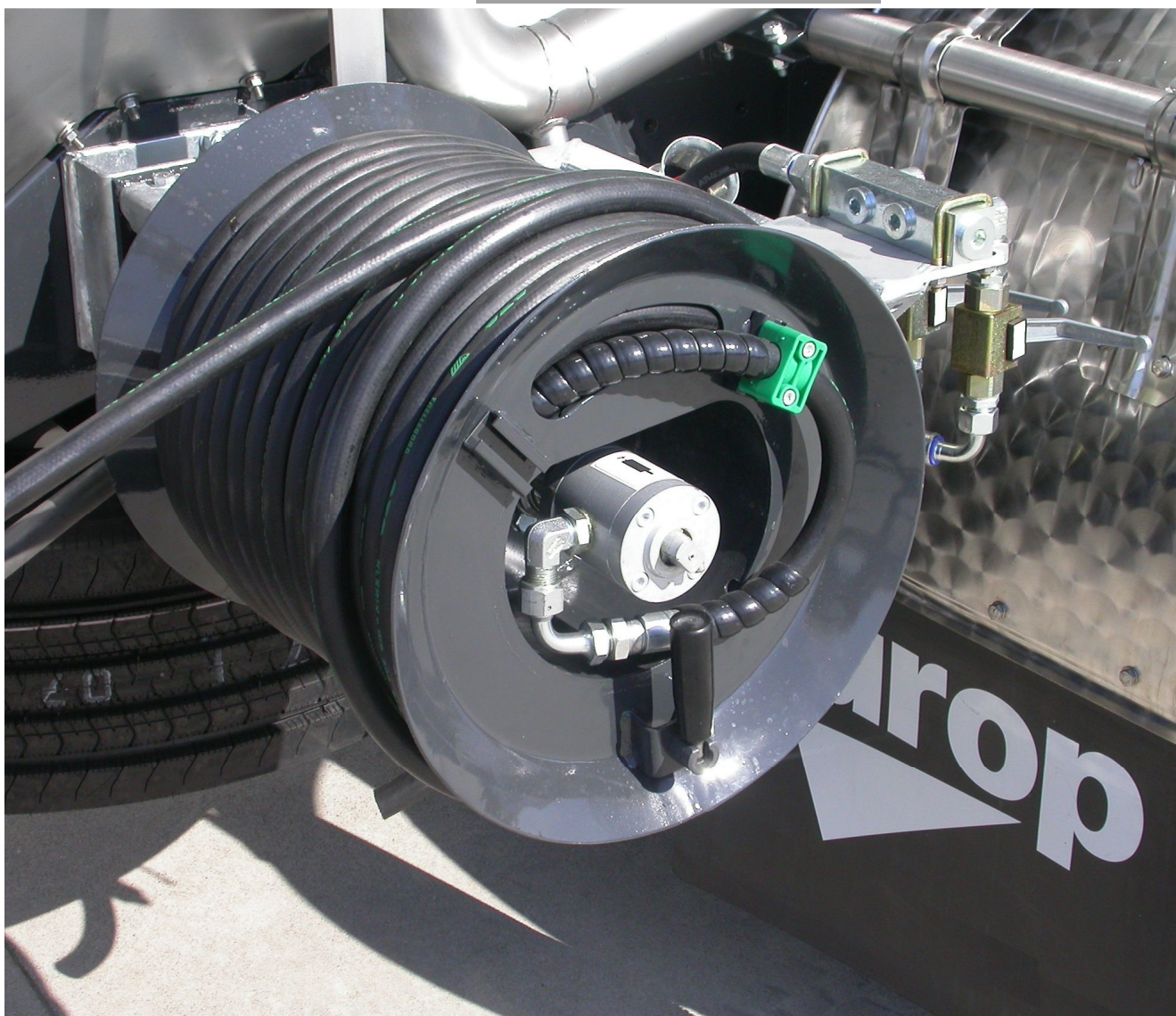


EN

SIDE MOUNTING HOSE REEL



## ACCESSORIES AND COMPONENTS

High pressure side hose  
reel

**Jurop**

COMPANY WITH  
QUALITY SYSTEM  
CERTIFIED BY DNV GL  
= ISO 9001 =

**TECHNICAL DATA**

The side mounting hose reel consists of a steel frame onto which a metal drum is installed (available in two versions: D=600 and D=410). It is designed to wind hoses, specifically for high pressure water, having diameters of 1/2" and 3/4". The side mounting hose reel is intended to be incorporated into machines for cleaning sewers and drains using high pressure water.

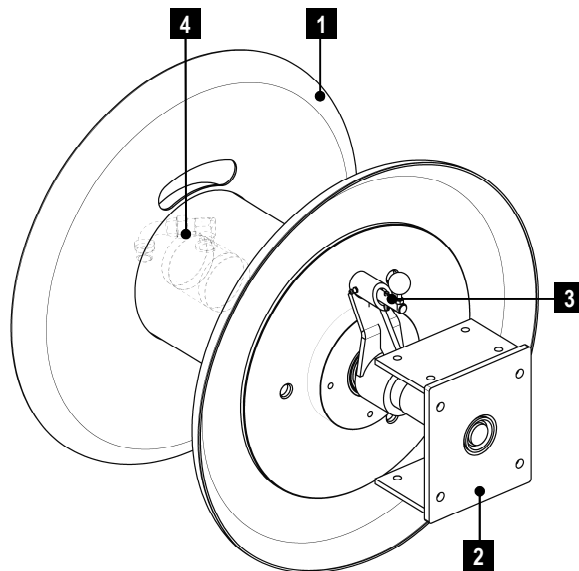
The side mounting hose reel is equipped with a swivel joint connecting to the supply piping, which ensures the high pressure fluid even while the reel is rotating.

The side mounting hose reel with drum D=600 is available in the following versions:

- **Manual side mounting hose reel** made of painted **Mild steel S235JR** size 1/2" (code 13072 066 10) and 3/4" (code 13072 067 00);
- **Manual side mounting hose reel** made of **Stainless steel** size 1/2" (code 13072 ULH B0) and 3/4" (code 13072 UNJ B0);
- **Motorised side mounting hose reel** made of painted **Mild steel S235JR** size 1/2" (code 13072 049 10) and 3/4" (code 13072 068 00);
- **Motorised side mounting hose reel** made of **Stainless steel** size 1/2" (code 13072 UFE B0) and 3/4" (code 13072 UFF B0).

The side mounting hose reel with drum D=410 is available in the following versions:

- **Small manual side mounting hose reel** made of **Stainless steel** size 1/2" (code 13072 053 00);
- **Small motorised side mounting hose reel** made of **Stainless steel** size 1/2" (code 13072 057 00).



The following figure shows a schematic view of the side mounting hose reel (manual version), identifying its main components.

LEGEND			
1	Metal drum	3	Locking device (on manual version)
2	Metal frame	4	Swivel fitting

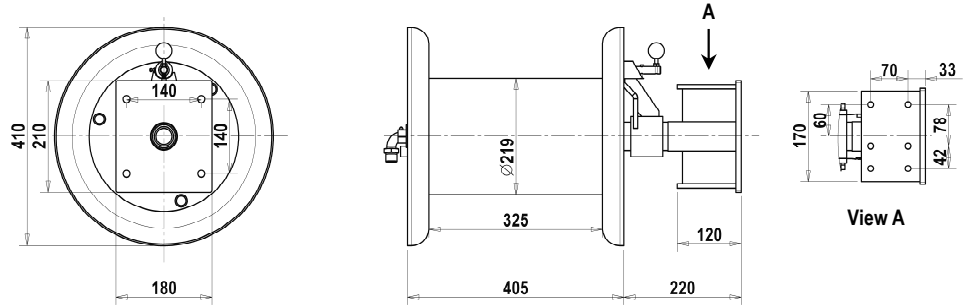
The following table shows the main operating parameters concerning windable hose length, high pressure fluid supply pressure, hydraulic flow rate and pressure (with reference to the hydraulically operated versions) and weight.

OPERATING PARAMETERS						
Parameter	Small Man. side mount. hose reel 1/2"	Man. side mount. hose reel 1/2"	Man. side mount. hose reel 3/4"	Small Mot. side mount. hose reel 1/2"	Mot. side mount. hose reel 1/2"	Mot. side mount. hose reel 3/4"
	code 13072 053 00	13072 066 10 (Iron) 13072 ULH B0 (Stainless steel)	13072 067 00 (Iron) 13072 UNJ B0 (Stainless steel)	code 13072 057 00	13072 049 10 (Iron) 13072 UFE B0 (Stainless steel)	13072 068 00 (Iron) 13072 UFF B0 (Stainless steel)
MAX HOSE LENGTH	40mt	140mt	80mt	40mt	140mt	80mt
MAX WATER PRESSURE	250 bar	250 bar	250 bar	250 bar	250 bar	250 bar
MAX HYDRAULIC PRESSURE				165 bar	165 bar	165 bar
MAX HYDRAULIC FLOW RATE				30 l/min	30 l/min	30 l/min
MOTOR REVS				0 ÷ 300 revs/min	0 ÷ 300 revs/min	0 ÷ 300 revs/min
WEIGHT	40 Kg	48 Kg	51 Kg	54 Kg	65 Kg	67 Kg

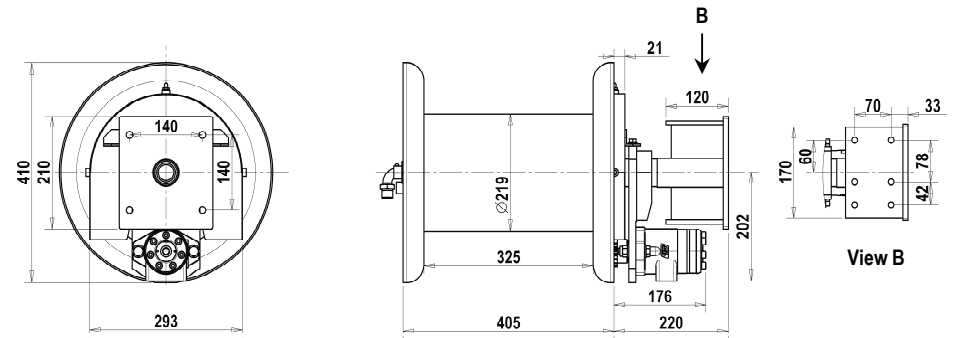
The data above concerning weight refer to the side mounting hose reel without the wound hose. The indicated hydraulic flow rate corresponds to a linear hose winding speed ranging between 44 and 80 m/min for hose reel D=410, and between 44 and 120 m/min for hose reel D=600.

**Side mounting hose reel dimensions**

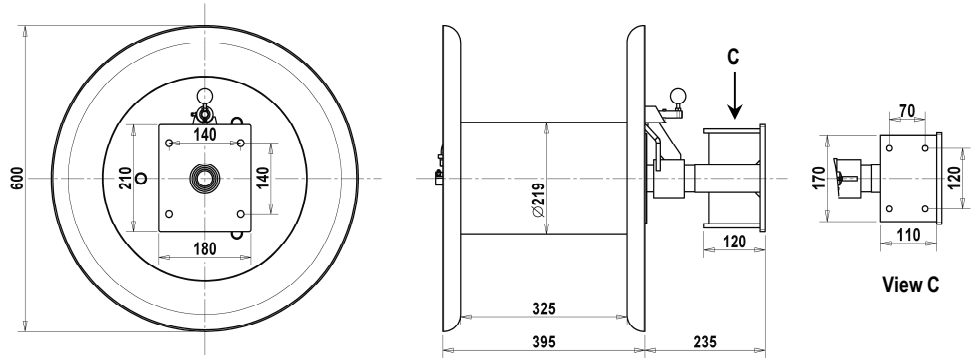
**Small manual side mounting hose reel (D=410)**



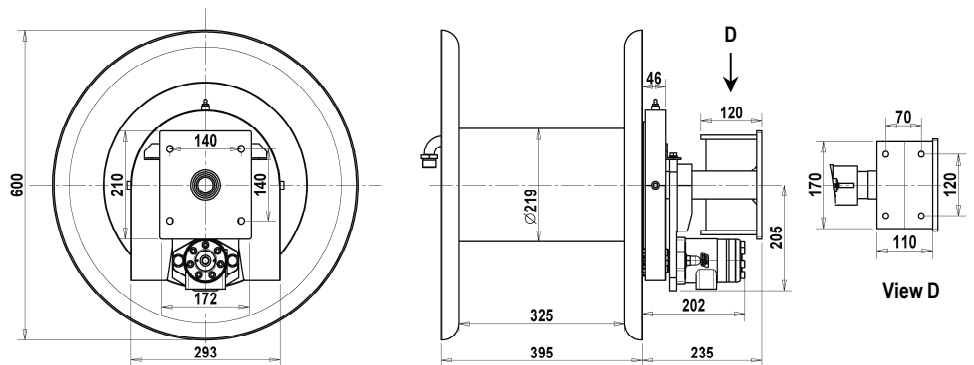
**Small motorised side mounting hose reel (D=410)**



**Large manual side mounting hose reel (D=600)**

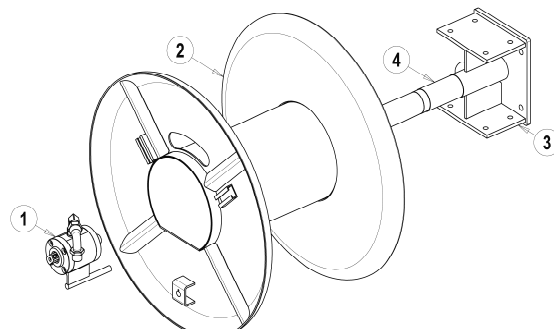


**Large motorised side mounting hose reel (D=600)**

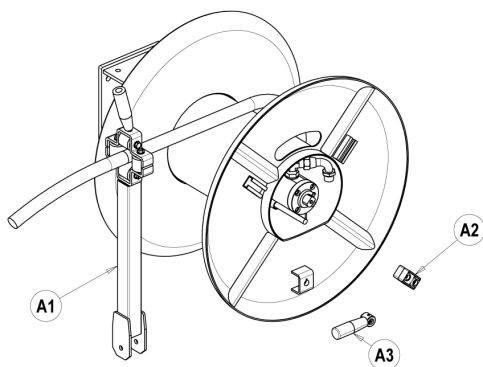


**MATERIALS**

1. The swivel joint is made of cast iron and steel C40.
2. The drum is made of S235JR mild steel for the iron version and of Aisi304 stainless steel for the stainless steel version.
3. The frame plates are made of Fe37.
4. The support axis is made of Fe33.

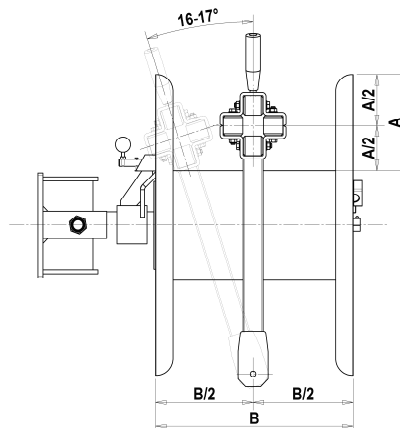


**ACCESSORIES**



**Hose guide installation**

For the hose guide to operate correctly, the following parameters shown in figure must be complied with during installation. The hose guide is supplied with a standard length of approximately 700 mm: the installer must cut the tubular section according to installation requirements.



Pos.	Code	Description	Qty
A1	1420200100	STAINLESS STEEL SIDE MOUNT. HOSE REEL HOSE GUIDE ARM	1
A2	4026426513	COLLAR D.25 TH325 (FOR 1/2" PIPING)	1
	4026426517	COLLAR D.30 TH430 (FOR 3/4" PIPING)	1
A3	4025500203	HANDLE	1

**Hoses**

High pressure hoses, available in the following two versions, can be supplied upon request:

- **Hose metal braided**, code 40211 ZZB 00 (40m 1/2" for pressure up to 240bar, weight 460g/m), code 40211 ZZB 05 (120m 1/2" for pressure up to 240bar, weight 460g/m), code 40211 ZYB 02 (80m 3/4" for pressure up to 215bar, weight 760g/m);

- **Hose textile braided**, suitable for pressure up to 250bar, code 40211 041 01 (40m 1/2", per 460g/m), code 40211 041 05 (120m 1/2", per 460g/m), code 40211 041 09 (80m 3/4", per 620g/m).