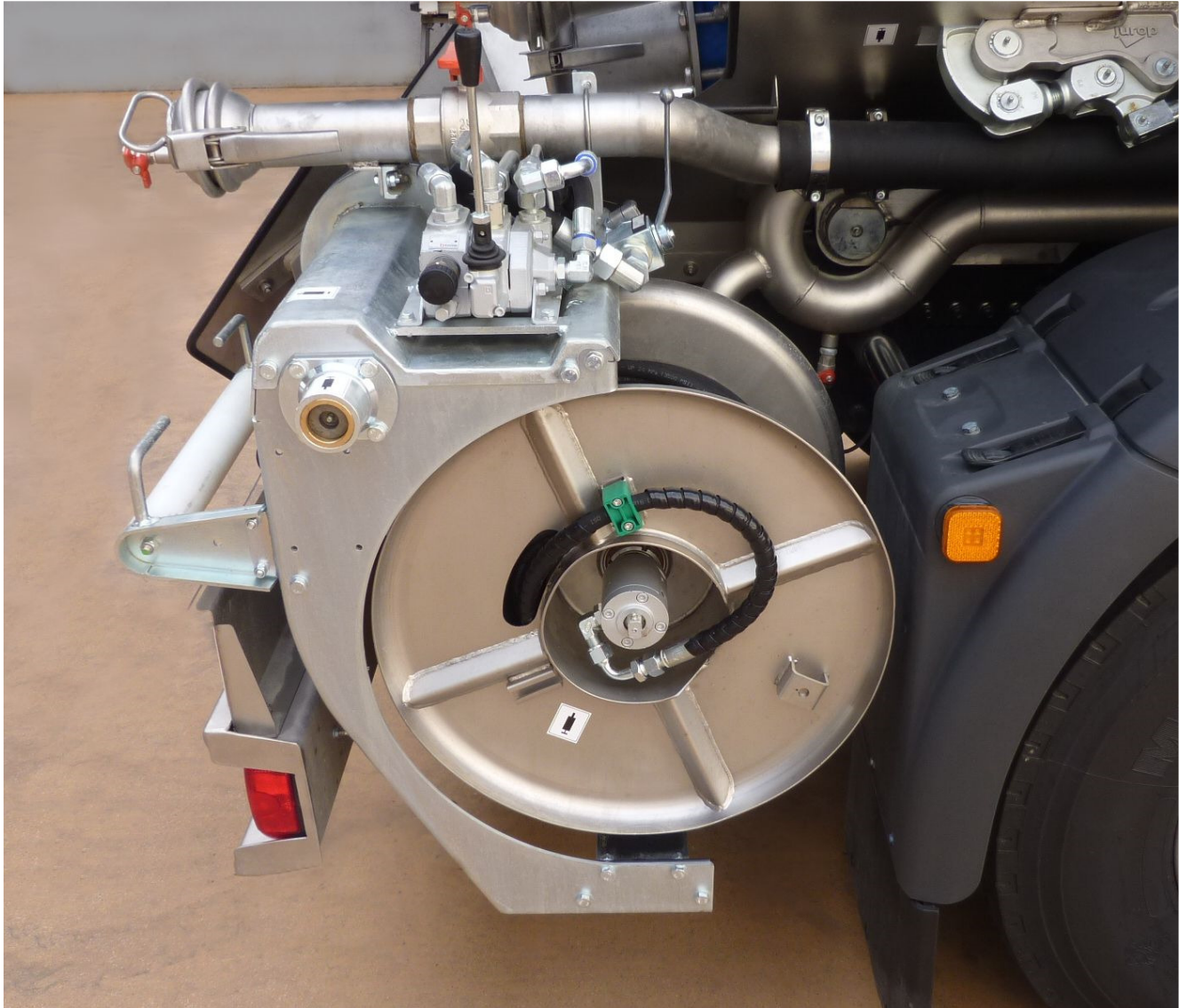


EN

MOT. SIDE MOUNTING HOSE REEL AUTOMATIC



## ACCESSORIES AND COMPONENTS

High pressure side hose reel

**Jurop**

COMPANY WITH  
QUALITY SYSTEM  
CERTIFIED BY DNV GL  
= ISO 9001 =

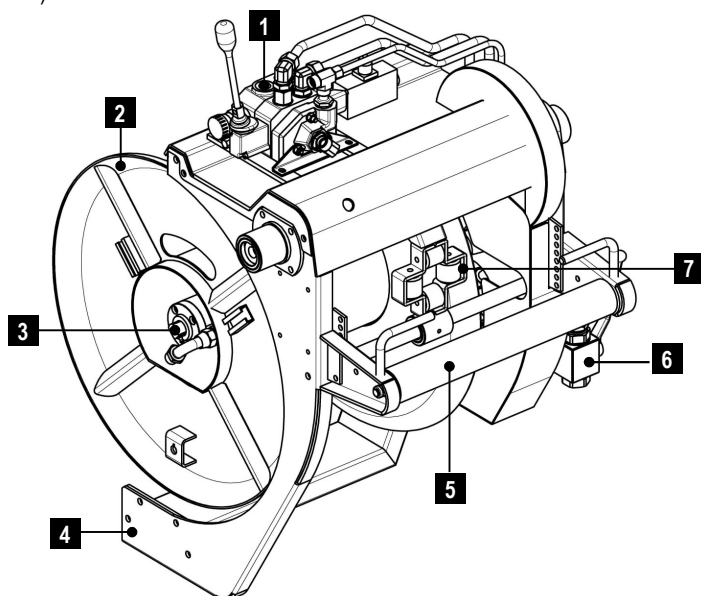
**TECHNICAL DATA**

The motorised side mounting hose reel with automatic hose guide is made up of a steel frame fitted with a hydraulic rotation metallic drum  $D=600\text{mm}$  and the relative automatic hose guide system. It is designed to wind hoses, specifically for high pressure water, having diameters of  $\frac{1}{2}$ " and  $\frac{3}{4}$ ". The motorised side mounting hose reel with automatic hose guide is intended to be incorporated into machines for cleaning sewers and drains using high pressure water.

The motorised side mounting hose reel with automatic hose guide is equipped with a swivel joint connecting to the water supply, which ensures the fluid is dispensed at high pressure even while the drum is rotating. The presence of the automatic hose guide ensures the proper winding/storage of the hose at high pressure.

All motorised side mounting hose reels with automatic hose guide are available in **Right** and **Left** versions and in the painted **S235JR Mild Steel** or **Stainless Steel** version.

The figure below illustrates a diagram of the motorised side mounting hose reel with automatic hose guide, identifying its main constructive elements (the image shows the left version).



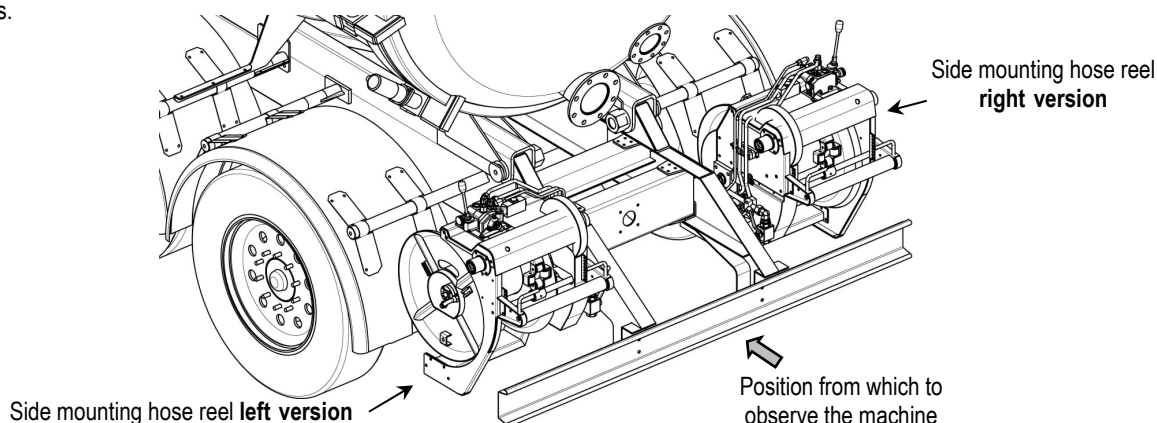
**LEGEND**

1	Hydraulic distributor	5	Hose guide roller
2	Winding drum	6	Water connection valve
3	Swivel joint	7	Automatic hose guide system
4	Support frame		

All motorised side mounting hose reels with automatic hose guide are equipped with a drum  $D_e = 600\text{mm}$  ( $D_i = 219\text{mm}$ ), which can contain the following maximum amount of hoses:

- 140 m of  $\frac{1}{2}$ " hoses ( $D_e = 20.3\text{mm}$ );
- 80 m of  $\frac{3}{4}$ " hoses ( $D_e = 27.7\text{mm}$ ).

The figure below illustrates the installation position on the vehicle of the motorised side mounting hose reel with automatic hose guide in the right and left versions.



The following table shows the main operating parameters concerning the maximum windable hose length, high pressure fluid supply pressure, hydraulic flow rate and pressure, hydraulic motor revs and weight.

OPERATING PARAMETERS		
Parameter	Motorised side mounting hose reel with automatic hose guide 1/2"	Motorised side mounting hose reel with automatic hose guide 3/4"
MAX HOSE LENGTH	140m	80m
MAX WATER PRESSURE	250 bar	250 bar
MAX HYDRAULIC PRESSURE	165 bar	165 bar
MAX HYDRAULIC FLOW RATE	30 l/min	30 l/min
MOTOR REVS	0 ÷ 300 revs/min	0 ÷ 300 revs/min
WEIGHT	172 Kg	174 Kg

**Note:** the data above concerning weight refer to the motorised side mounting hose reel with automatic hose guide without the wound hose. The hydraulic flow rate indicated (30 l/min) corresponds to a variable linear hose winding speed between 44 and 120 m/min.

### Available versions

The different types of motorised side mounting hose reels with automatic hose guide differ according to the following parameters:

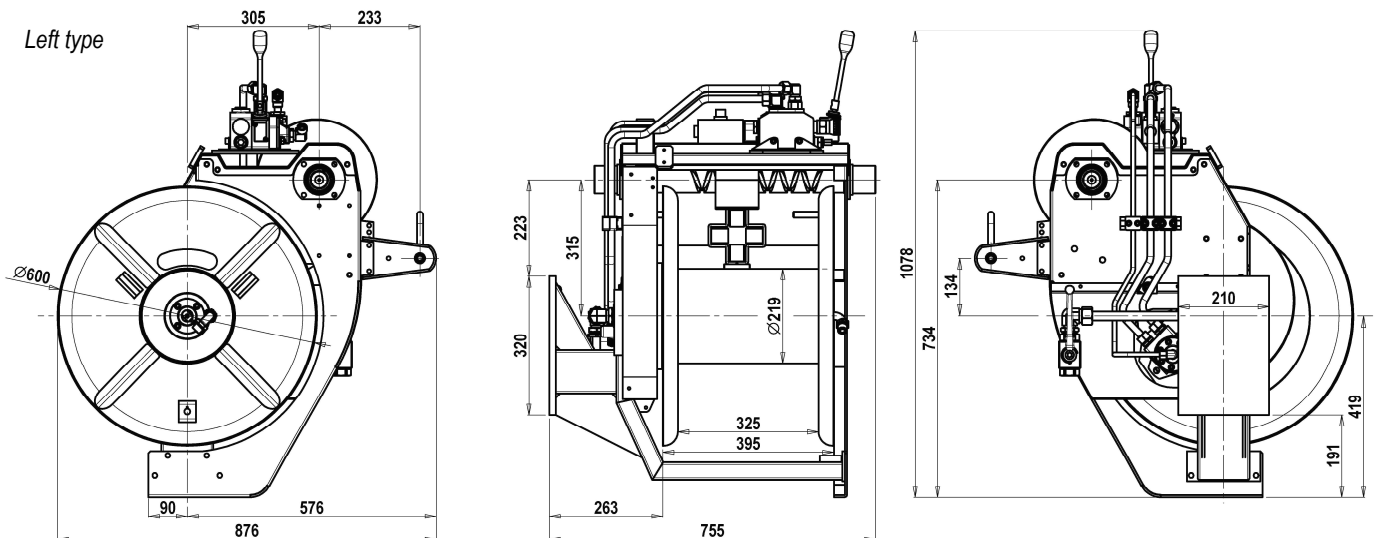
- Type of manufacturing material, such as iron (Mild steel S235JR) and Stainless steel;
- Orientation (i.e. the predisposition to be installed on the right or left side of the machine) in the Right and Left versions;
- Type of hose that can be wound, in the  $\varnothing 1/2$  and  $\varnothing 3/4$  versions.

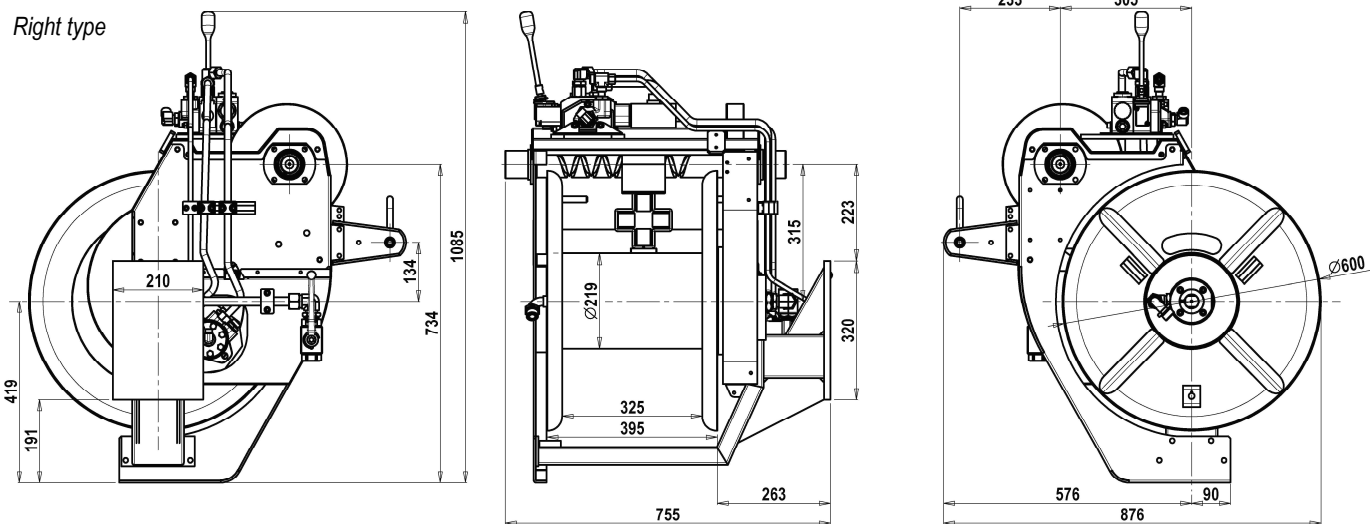
The table below shows the models of motorised side mounting hose reels with aut. hose guide available, with the relative identification code.

AVAILABLE VERSIONS					
Model	Code	Material	Orientation	Hose diameter	
Mot. side mounting hose reel hose guide Iron right 1/2	13072 V8M B0	Iron	R-H	$\varnothing 1/2$	
Mot. side mounting hose reel hose guide Iron left 1/2	13072 VU0 B0	Iron	L-H	$\varnothing 1/2$	
Mot. side mounting hose reel hose guide Stainless Steel right 1/2	13072 V84 B0	Stainless steel	R-H	$\varnothing 1/2$	
Mot. side mounting hose reel hose guide Stainless Steel left 1/2	13072 VT2 B0	Stainless steel	L-H	$\varnothing 1/2$	
Mot. side mounting hose reel hose guide Iron right 3/4	13072 V8F B0	Iron	R-H	$\varnothing 3/4$	
Mot. side mounting hose reel hose guide Iron left 3/4	13072 VU1 B0	Iron	L-H	$\varnothing 3/4$	
Mot. side mounting hose reel hose guide Stainless Steel right 3/4	13072 TMS B0	Stainless steel	R-H	$\varnothing 3/4$	
Mot. side mounting hose reel hose guide Stainless Steel left 3/4	13072 VU2 B0	Stainless steel	L-H	$\varnothing 3/4$	

**Note:** the automatic hose guide system is synchronised for hoses with external diameters shown in page 2. Other diameters must be specified in the order.

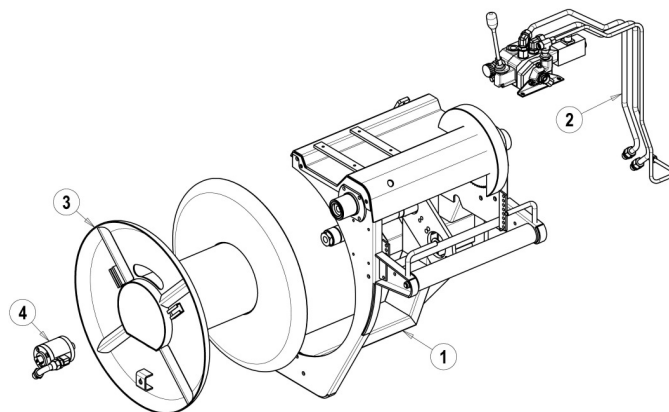
### Dimensions of the motorised side mounting hose reel with automatic hose guide





**MATERIALS**

1. The frame structure is made of Mild Steel S235JR.
2. The hydraulic pipes are made of ST37.4 steel.
3. The drum is made of Mild Steel S235JR for the iron version and of Aisi304 stainless steel for the stainless steel version.
4. The swivel fitting is made of cast iron and steel C40.



**ACCESSORIES**

**Hoses**

High pressure hoses, available in the following two versions, can be supplied upon request:

- **Braided metal hose**, code 40211 ZZB 05 (120m 1/2" for pressure up to 240bar, weight 460g/m), code 40211 ZYB 02 (80m 3/4" for pressure up to 215bar, weight 760g/m);
- **Textile braided hose**, suitable for pressure up to 250bar, code 40211 041 05 (120m 1/2", per 450g/m), code 40211 041 09 (80m 3/4", per 610g/m).