

EN

FIXED ARM SUCTION HOSE REEL



ACCESSORIES AND COMPONENTS

Suction hose reel

Jurop

COMPANY WITH
QUALITY SYSTEM
CERTIFIED BY DNV GL
= ISO 9001 =

TECHNICAL DATA

The fixed arm suction hose reel is an accessory designed and sized to be incorporated into machines equipped with tanks for the suction of sludge (or similar fluids) from road gullies. The suction is created by vacuum inside the tank (e.g. drainage vehicles).

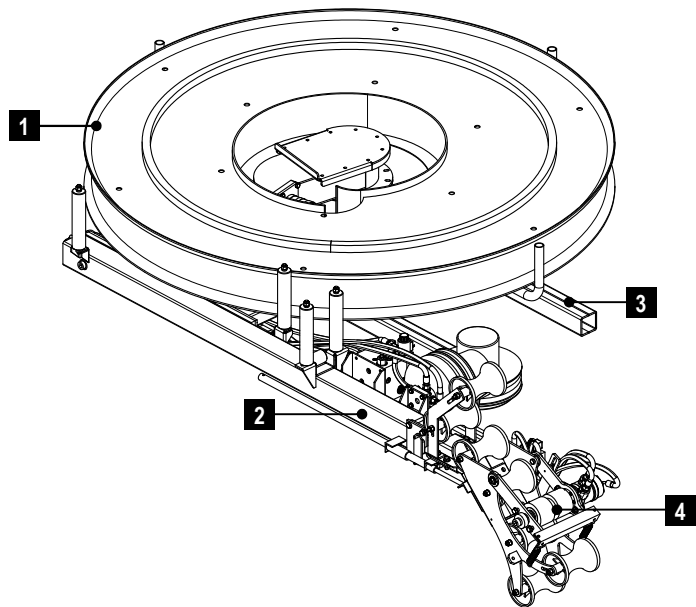
The fixed arm suction hose reel allows simplifying the operator's work by nearing the hose to the workplace.

The fixed arm suction hose reel is normally installed on the upper part of the tank. It consists of a D=1960 mm (DN80-DN100) or a D=2160 mm (DN125) metal drum, which stores the suction hose and is equipped with a telescopic arm. The entire assembly is designed to rotate (within a maximum limit of 300°) around its rotation axis. The telescopic arm has a maximum extension of 1350 mm.

The fixed arm suction hose reel is available in the following two versions:

- **Fixed arm suction hose reel DN125**, code 13072 B8H C0, made of stainless steel, which can contain 20m DN120 hose;
- **Fixed arm suction hose reel DN100**, code 13072 0G6 A0, made of stainless steel, which can contain 25m DN100 hose;
- **Fixed arm suction hose reel DN80**, code 13072 0K7 A0, made of stainless steel, which can contain 30m DN80 hose.

The figure below shows a schematic view of the fixed arm suction hose reel, identifying its main components.



LEGEND

1	Metal drum	3	Support frame
2	Telescopic arm	4	Hose winding rubber roller

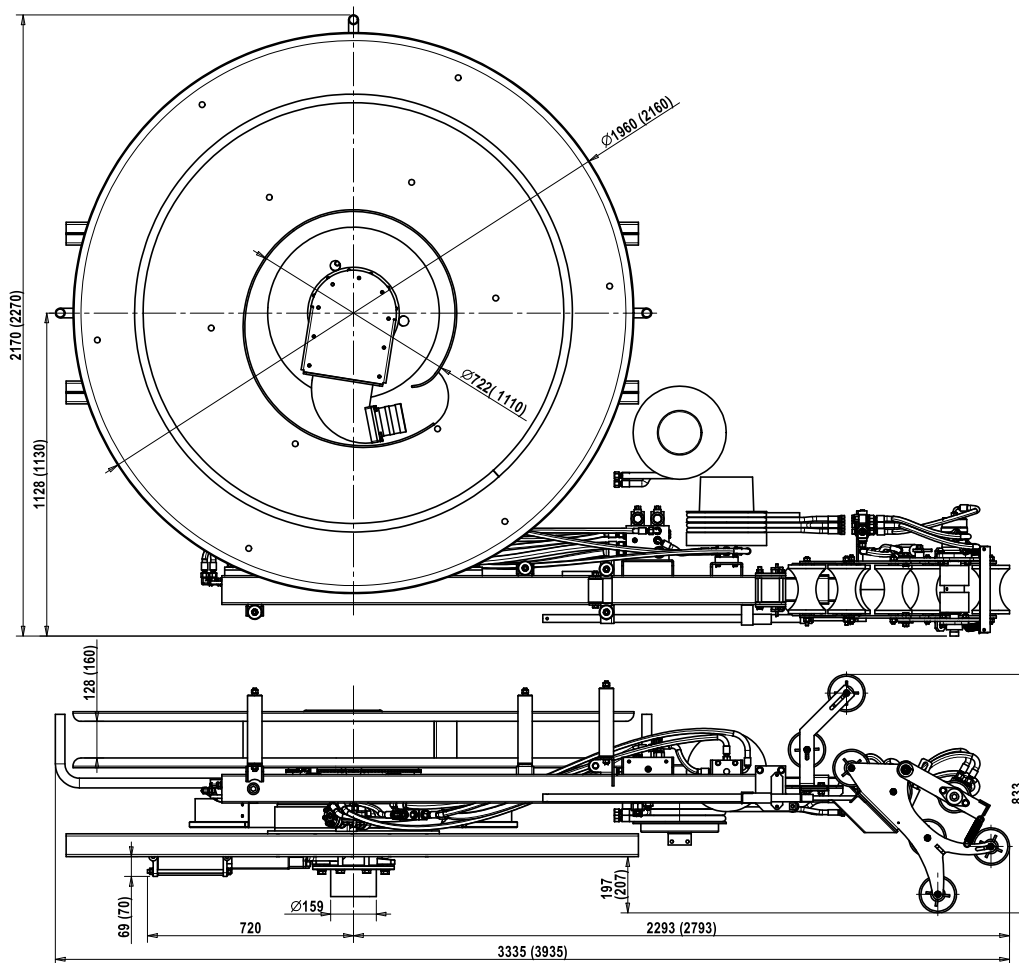
The following table shows the main operating parameters (the same for both DN100 and DN80 versions) concerning hydraulic pressure and flow rate, hydraulic motor rotation speed, supply voltage and weight.

OPERATING PARAMETERS		FIXED ARM SUCTION HOSE REEL	
Parameter	DN100 e DN80	DN125	
MAX INLET HYDRAULIC PRESSURE	150 bar	150 bar	
MAX HYDRAULIC FLOW RATE	17-25 l/min	17-25 l/min	
MOTOR REVS	0 : 300 revs/min	0 : 300 revs/min	
PNEUMATIC PRESSURE	3.5 – 7 Kg/cm ²	3.5 – 7 Kg/cm ²	
VOLTAGE	24 V (single reel power consumption: 2.5A)	24 V (single reel power consumption: 2.5A)	
WEIGHT	1090 Kg	1155 Kg	

Note: the data above concerning weight refer to the fixed arm suction hose reel without the wound hose.

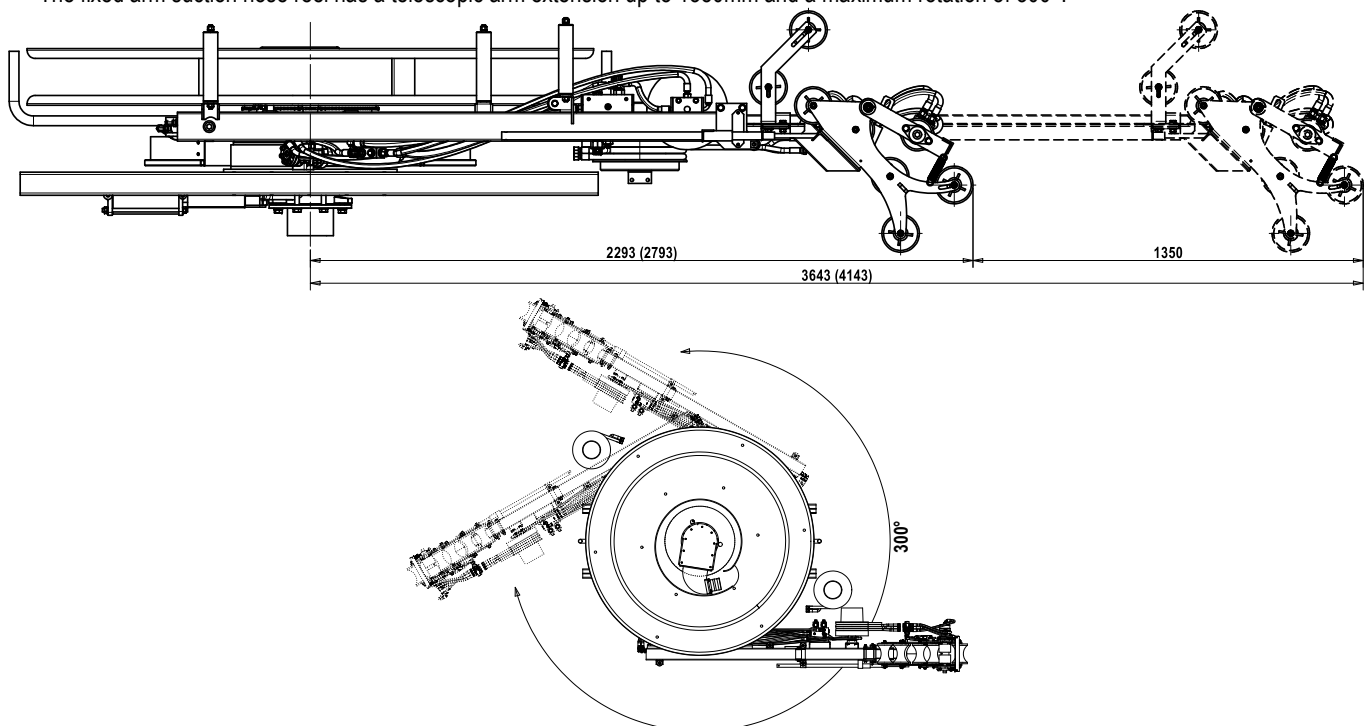
Fixed arm suction hose reel dimensions

Dimensions in brackets refer to the model 13072 B8H C0.



Fixed arm suction hose reel functional characteristics

The fixed arm suction hose reel has a telescopic arm extension up to 1350mm and a maximum rotation of 300°.



MATERIALS

1. The drum is made of Aisi304 stainless steel.
2. The telescopic arm is made of S235JR mild steel.
3. The base is made of Aisi304 stainless steel (DN80-DN100) or S235JR mild steel (DN125).
4. The hose guide rollers are made of plastic material.

