

ACCESSORIES AND COMPONENTS

Suction boom

Jurop

COMPANY WITH
QUALITY SYSTEM
CERTIFIED BY DNV GL
= ISO 9001 =

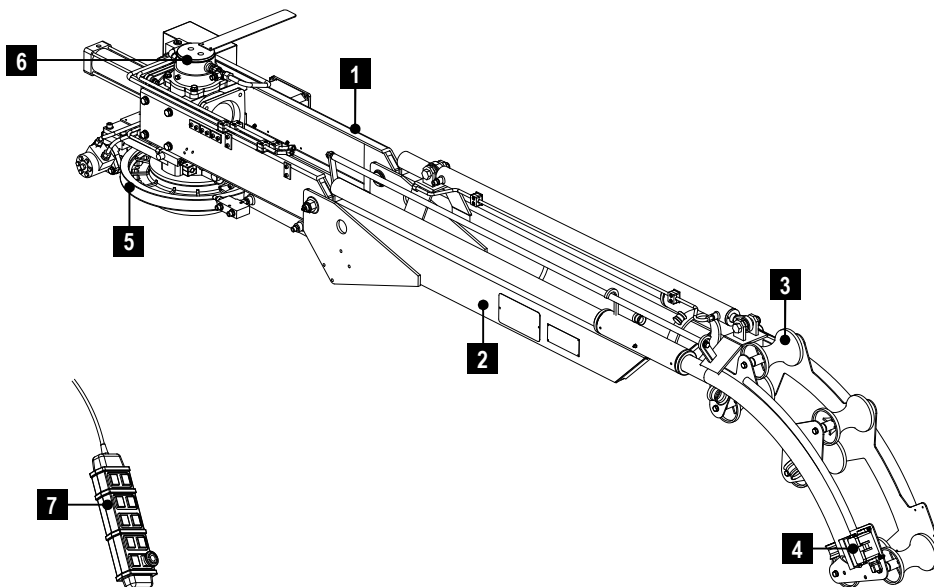
TECHNICAL DATA

The suction boom is an accessory designed and sized to be incorporated into machines equipped with tanks to sludge suck (or similar fluids) from road gullies. The suction is created by vacuum inside the tank (e.g. drainage vehicles). The suction boom allows simplifying the operator's work by nearing the hose to the workplace.

The suction boom is normally installed on the upper part of the tank.

It essentially consists of a hydraulically or electrically operated telescopic arm (which houses a suction pipe) connected to one end of the sludge tank.

The figure shows a schematic view of the suction boom (suction boom DN100 – DN125 – DN150; the same considerations apply for the DN200 version), highlighting the main components.



LEGEND

1	Moving arm	5	Slewing ring
2	Telescopic arm	6	Hydraulic swivel joint
3	Hose guide rollers	7	Pushbutton control panel
4	Pushbutton panel plug		

The following table shows the parameters that must be complied with to supply the suction boom. All the values refer to all the available versions.

OPERATING PARAMETERS

Parameter	Operating value	Maximum value
HYDRAULIC PRESSURE	70-100 bar	150 bar
HYDRAULIC FLOW RATE	15-30 l/min	50 l/min
Maximum counter pressure on the valve block:		150 bar
PNEUMATIC PRESSURE	6 bar	8 bar
VOLTAGE	12 / 24 V	± 10%

The suction boom is designed to withstand (relative) vacuum/pressure -1 / +4 bar. The solenoid valve coils have a consumption of approximately 1 A in the 24V version and approximately 2 A in the 12V versions.

The suction boom is designed to allow for a maximum rotation angle of 300° and a maximum telescopic extension of 1350mm.

Available versions

The suction boom is available in various versions that are distinguished by the following parameters:

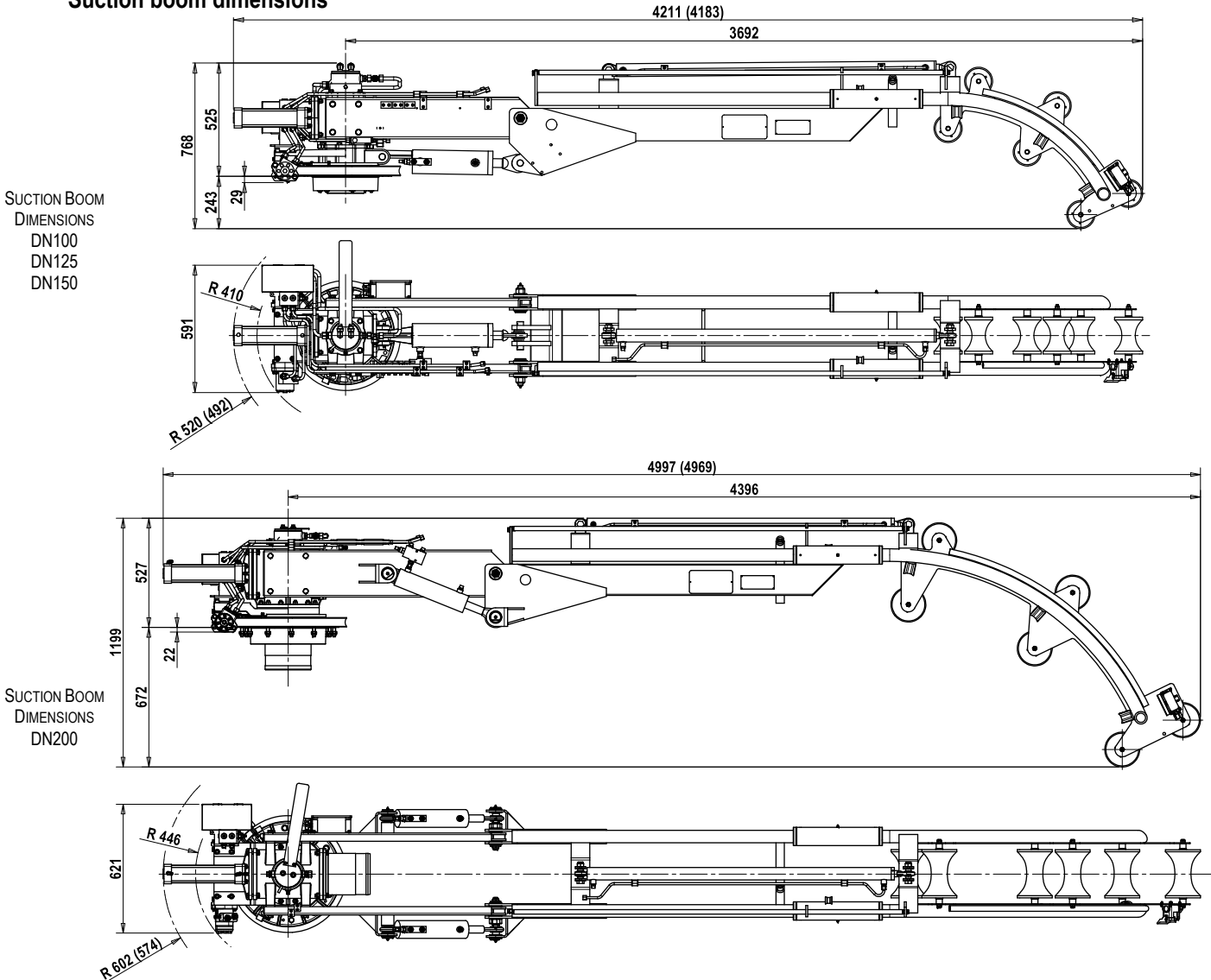
- Suction hose connection manifold diameter available in the DN100, DN125, DN150 and DN200 versions;
- Type of activation of the suction line shutter valve, available in the hydraulic and pneumatic versions;
- Type of power supply, available in the 12 V and 24 V versions.

The following table shows the available suction boom models and relative identification code.

AVAILABLE VERSIONS

Model	Code	Manifold diameter	Shutter valve	Power supply
Suction boom DN100 24V	13600 003 00	Ø 100 mm	Pneumatic	24V
Suction boom DN125 24V	13600 004 00	Ø 125 mm	Pneumatic	24V
Suction boom DN150 24V	13600 005 00	Ø 150 mm	Pneumatic	24V
Suction boom DN200 24V	13600 012 00	Ø 200 mm	Pneumatic	24V
Suction boom DN100 24V HDR	13600 017 00	Ø 100 mm	Hydraulic	24V
Suction boom DN125 24V HDR	13600 019 00	Ø 125 mm	Hydraulic	24V
Suction boom DN150 24V HDR	13600 021 00	Ø 150 mm	Hydraulic	24V
Suction boom DN200 24V HDR	13600 014 00	Ø 200 mm	Hydraulic	24V
Suction boom DN100 12V	13600 007 00	Ø 100 mm	Pneumatic	12V
Suction boom DN125 12V	13600 008 00	Ø 125 mm	Pneumatic	12V
Suction boom DN150 12V	13600 009 00	Ø 150 mm	Pneumatic	12V
Suction boom DN200 12V	13600 011 00	Ø 200 mm	Pneumatic	12V
Suction boom DN100 12V HDR	13600 010 00	Ø 100 mm	Hydraulic	12V
Suction boom DN125 12V HDR	13600 01800	Ø 125 mm	Hydraulic	12V
Suction boom DN150 12V HDR	13600 020 00	Ø 150 mm	Hydraulic	12V
Suction boom DN200 12V HDR	13600 013 00	Ø 200 mm	Hydraulic	12V

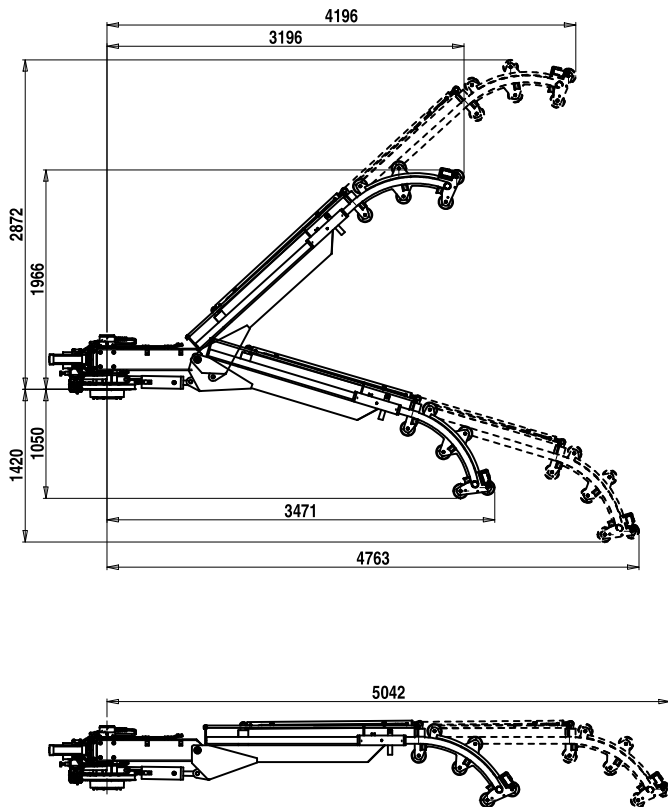
Suction boom dimensions



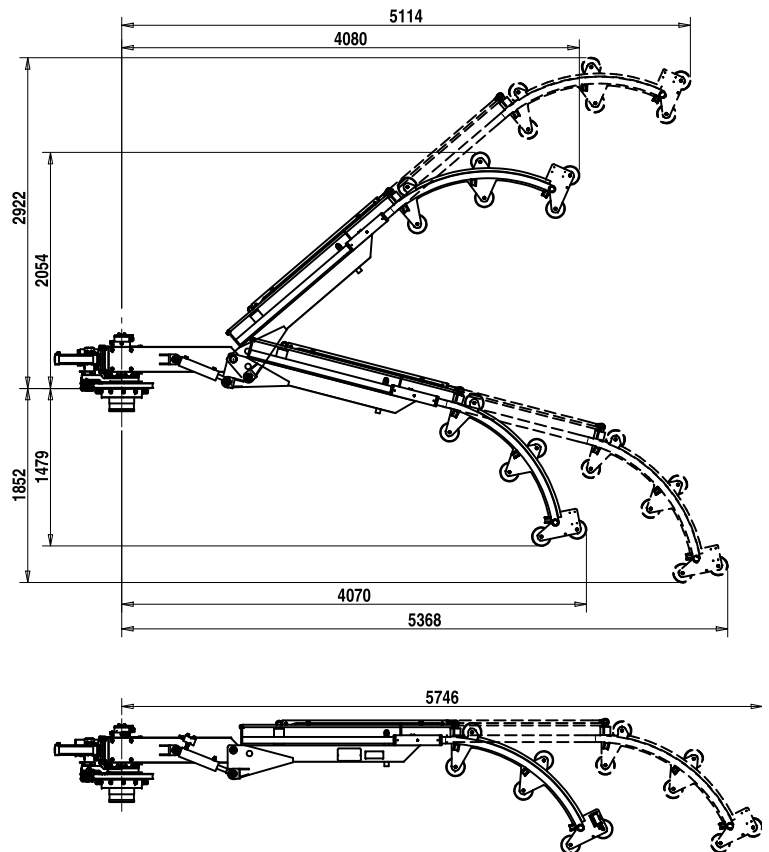
Note: The dimensions shown in the figure refer to the model with pneumatic actuator; whereas the dimensions in brackets (e.g., 4183) refer to the model with hydraulic actuator.

Functional features

SUCTION BOOM FUNCTIONAL FEATURES DN100 – DN125 – DN150



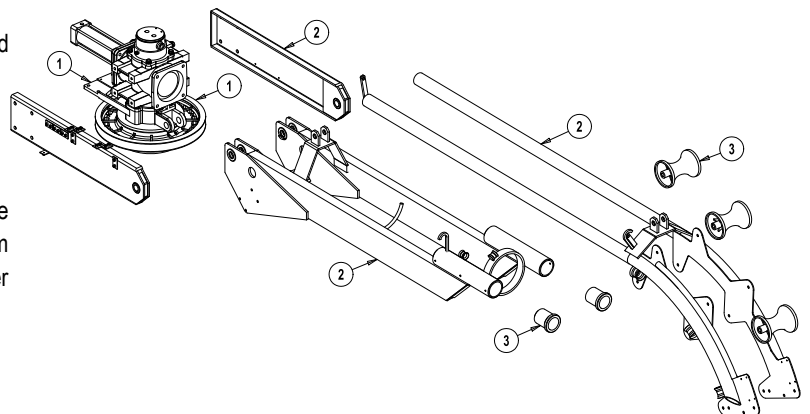
SUCTION BOOM FUNCTIONAL FEATURES DN200



MATERIALS

1. The body and the slewing ring are made of cast iron.
2. The telescopic arm is made of galvanised S235JR mild steel to ensure its high resistance against weather agents.
3. The hose guide rollers are made of plastic material.

The parts of the suction boom in contact with the transported material (suction boom conveyor, suction boom plate) are made of GS 500 cast iron; whereas the shutter valve is made of NBR.



ACCESSORIES

- Accessories available:
- **Suction boom flushing**, only DN100 – DN125 – DN150;
- **Suction boom weld collar**, available in mild steel or stainless steel;
- **Suction boom arm support**, available in mild steel or stainless steel;
- **Suction boom hydraulic piping standing support**, available in mild steel or stainless steel;
- **Suction hose**, made of a 6 m long plastic section with a half-coupling end cap;
- **Suction pipes and flushed suction pipe**;
- **Pushbutton panel support**.