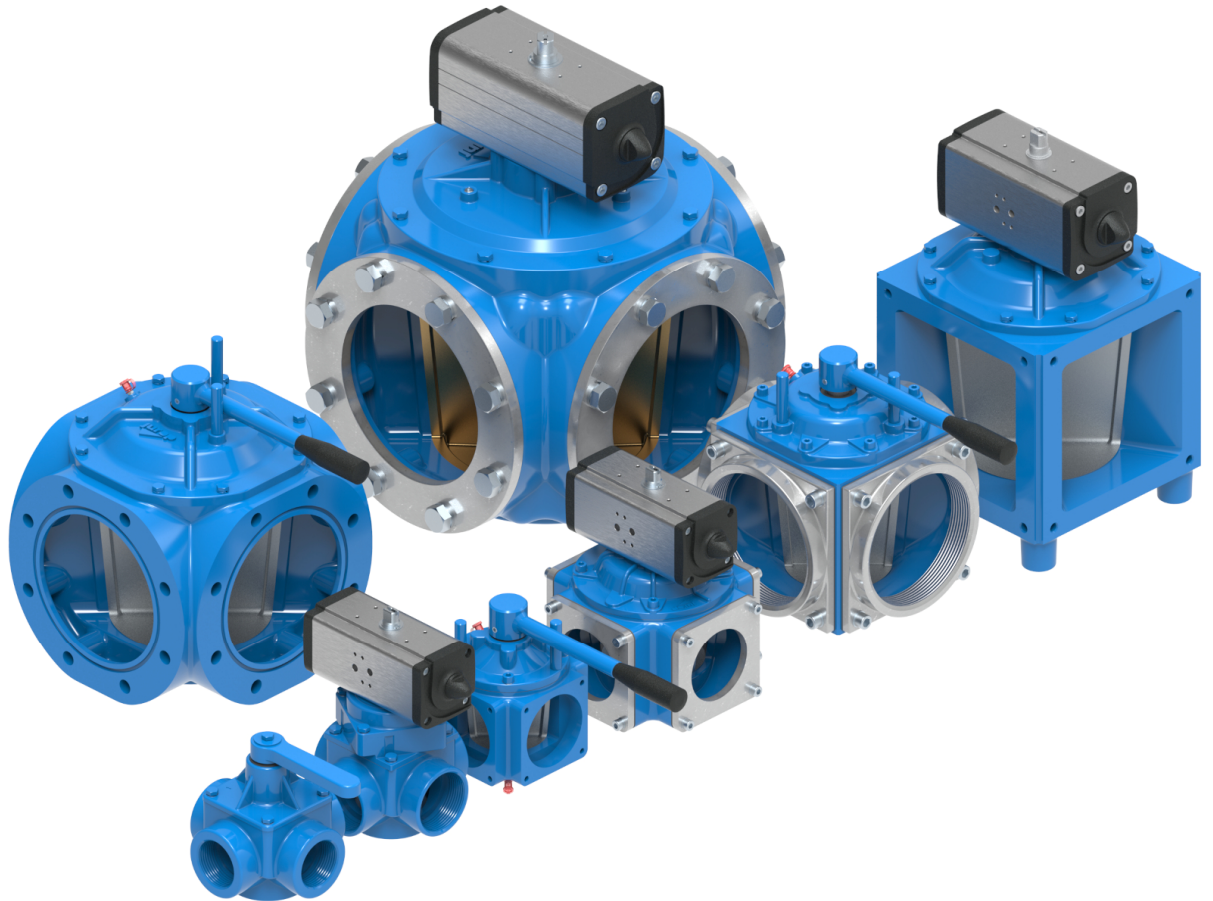


EN

4-WAY VALVES



ACCESSORIES AND COMPONENTS

4-way valves



COMPANY WITH
QUALITY SYSTEM
CERTIFIED BY DNV
ISO 9001

COMPANY WITH
ENVIRONMENTAL SYSTEM
CERTIFIED BY DNV
ISO 14001

CHARACTERISTICS

The 4-way valves are designed to be installed in correspondence of the vacuum / pressure line of equipment typically used to clean sewer lines and cesspits. The 4-way valves allow reversing the vacuum pump air flow, thereby pressurising the vacuum tank. This way, the operations to the discharge the material from the tank are optimised.

The 4-way valves can be **manual**, with manual actuation lever, or **pneumatic**, with pneumatic actuator.

They are available with various diameters (2", 2" 1/2, 3", 4", 6" e 8"), each of which with cast iron deviator (typically suitable for vane decompressors) and bronze or brass deviator (typically suitable for lobe decompressors). The DN150 and DN200 4-way valves are available. The plug is made of cast iron or brass for the DN150 version (only brass on the DN200 version). Brass is reducing friction and is spark-free.

The 4-way valves have different features, according to the diameter required. The 4-way valves can be divided into the following categories:

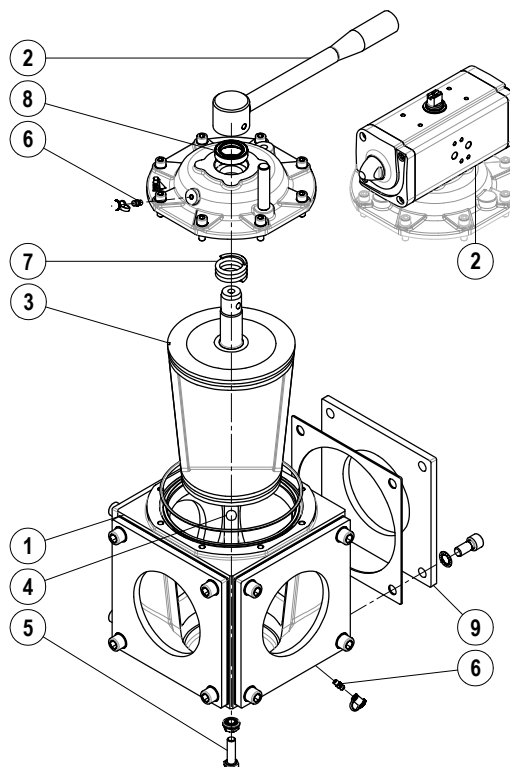
- **Manual 4-way valves with threaded manifold;**
- **Manual 4-way valve without flanges;**
- **Manual 4-way valve with flanges;**
- **Manual 4-way valve with threaded flanges;**
- **4-way valve with pneumatic actuator and threaded manifold;**
- **4-way valves with pneumatic actuator without flanges;**
- **4-way valves with pneumatic actuator with flanges;**
- **4-way valves with pneumatic actuator with threaded flanges.**

The following table shows the main operating parameters concerning maximum capacity and maximum pressure (relative) of the 4-way valves with respect to the available diameters. the indicated maximum supply pneumatic pressure refers to 4-way valves equipped with pneumatic actuator.

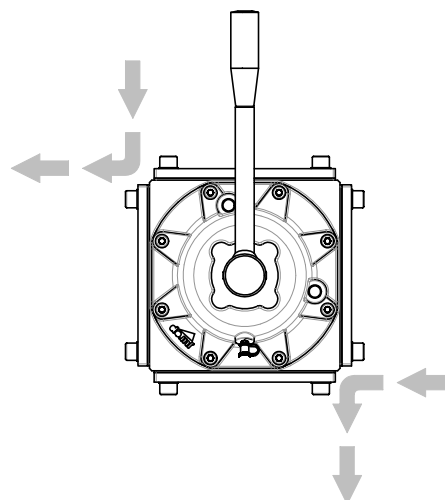
DESIGN PRESSURE (RELATIVE)	MAX PNEUMATIC PRESSURE
-1 / +4 bar	8 bar

The following figure shows a schematic diagram of a manual 4-way valve, highlighting the main components.

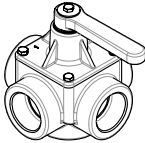
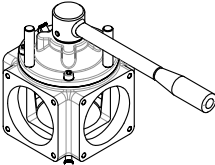
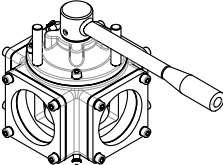
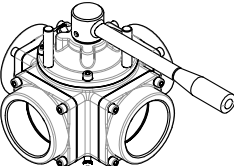
1	Valve body
2	Handle / Pneumatic actuator
3	Inside valve
4	1/2" ball
5	Adjustment screw
6	Greaser
7	Spring
8	Seal ring
9	Flange



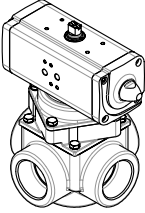
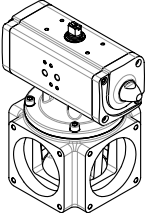
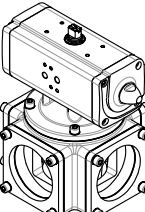
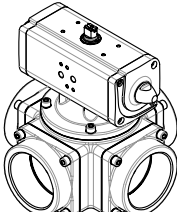
The following figure shows a schematic diagram of the flow directions through the 4-way valve (the flows refer to the vacuum mode). Rotating the internal valve (by turning the handle or activating the pneumatic actuator) reverse the flows that cross the valve; this way, the decompressor can be used in both suction and pressure mode.



The table in the following page shows in detail the available **manual 4-type valves** with respective identification code.

MANUAL 4-WAY VALVES DESCRIPTION		CODE	DIAMETER	THREAD	MATERIAL	WEIGHT [kg]		
	WITH THREADED MANIFOLD	1488100000	2"	NPT	Cast iron	8,3		
		1488106400	2"	GAS	Cast iron	8,2		
		1488103600	2"	NPT	Bronze	8,5		
		1488100100	2" ½	NPT	Cast iron	6,9		
		1488106600	2" ½	GAS	Cast iron	6,6		
		1488103700	2" ½	NPT	Bronze	6,8		
	WITHOUT FLANGES	1488106200	3"	-	Cast iron	11,7		
		1488104000	3"	-	Bronze	11,8		
		1488102800	4"	-	Cast iron	18,4		
		1488104400	4"	-	Bronze	18,8		
		1488102100	6"	-	Cast iron	34,8		
		1488104800	6"	-	Brass	26,6		
		1488100500	8"	-	Cast iron	55,4		
		1488105200	8"	-	Brass	58,1		
		14881015E0	DN 150	-	Cast iron	53		
		14881016E0	DN 150	-	Brass	56		
		14881006E0	DN 200	-	Brass	104		
			WITH CAST IRON FLANGES	1488101100	3"	-	Cast iron	13,7
1488104100	3"			-	Bronze	13,8		
1488103000	4"			-	Cast iron	22,1		
1488104500	4"			-	Bronze	22,6		
1488102300	6"			-	Cast iron	34,8		
1488104900	6"			-	Brass	35,3		
1488101500	8"			-	Cast iron	72		
1488105300	8"			-	Brass	74,1		
14881020E0	DN 150			-	Cast iron	77,5		
14881021E0	DN 150			-	Brass	80,2		
14881010E0	DN 200		-	Brass	136			
WITH STAINLESS STEEL FLANGES	14881022E0		DN 150	-	Cast iron	77,5		
	14881023E0		DN 150	-	Brass	80,3		
	14881008E0		DN 200	-	Brass	130		
			WITH THREADED FLANGES	1488100200	3"	NPT	Cast iron	17,2
				1488106800	3"	GAS	Cast iron	17,1
				1488105600	3"	NPT / GAS	Bronze	17,2
				1488103200	4"	NPT	Cast iron	23,8
		1488107000		4"	GAS	Cast iron	23,8	
1488105800		4"		NPT	Bronze	24,3		
1488107400		4"		GAS	Bronze	24,2		
1488102500		6"		NPT	Cast iron	36,1		
1488107200		6"		GAS	Cast iron	36,6		
1488106000		6"		NPT	Brass	36,6		
1488107600	6"	GAS	Brass	37,1				

The table in the following page shows in detail the available **4-way valves with pneumatic actuator** with respective identification code.

4-WAY VALVES WITH PNEUMATIC ACTUATOR DESCRIPTION	CODE	DIAMETER	THREAD	MATERIAL	WEIGHT [kg]	
 <p>WITH THREADED MANIFOLD</p>	14881BERB0	2"	NPT	Cast iron	12,8	
	1488106500	2"	GAS	Cast iron	12,8	
	1488103800	2"	NPT	Bronze	13,1	
	1488103400	2" ½	NPT	Cast iron	11,6	
	1488106700	2" ½	GAS	Cast iron	11,2	
	1488103900	2" ½	NPT	Bronze	11,5	
 <p>WITHOUT FLANGES</p>	14881DARB0	3"	-	Cast iron	13,2	
	1488104200	3"	-	Bronze	13,3	
	1488102900	4"	-	Cast iron	19,8	
	1488104600	4"	-	Bronze	20,2	
	1488102200	6"	-	Cast iron	27,7	
	1488105000	6"	-	Brass	28,2	
	14881BWPB0	8"	-	Cast iron	59	
	1488105400	8"	-	Brass	61,8	
	14881013E0	DN 150	-	Cast iron	56	
	14881014E0	DN 150	-	Brass	59	
	14881005E0	DN 200	-	Brass	108	
 <p>WITH CAST IRON FLANGES</p>	14881BNQB0	3"	-	Cast iron	15,3	
	1488104300	3"	-	Bronze	15,4	
	1488103100	4"	-	Cast iron	23,6	
	1488104700	4"	-	Bronze	24	
	1488102400	6"	-	Cast iron	36,4	
	1488105100	6"	-	Brass	36,8	
	14881BXBB0	8"	-	Cast iron	75,6	
	1488105500	8"	-	Brass	78,4	
	14881024E0	DN 150	-	Cast iron	81,1	
	14881025E0	DN 150	-	Brass	83,8	
	14881009E0	DN 200	-	Brass	136	
	<p>WITH STAINLESS STEEL FLANGES</p>	14881026E0	DN 150	-	Cast iron	81,2
		14881027E0	DN 150	-	Brass	83,9
		14881007E0	DN 200	-	Brass	130
	 <p>WITH THREADED FLANGES</p>	14881BRPB0	3"	NPT	Cast iron	18,7
1488106900		3"	GAS	Cast iron	18,6	
1488105700		3"	NPT / GAS	Bronze	18,7	
1488103300		4"	NPT	Cast iron	25,2	
1488107100		4"	GAS	Cast iron	25,2	
1488105900		4"	NPT	Bronze	25,7	
1488107500		4"	GAS	Bronze	25,6	
1488102600		6"	NPT	Cast iron	37,7	
1488107300		6"	GAS	Cast iron	38,2	
1488106100		6"	NPT	Brass	38,1	
1488107700	6"	GAS	Brass	38,7		

Jurop SpA reserves the right to make changes without notice. - All components are available upon request.