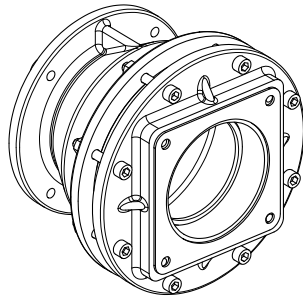
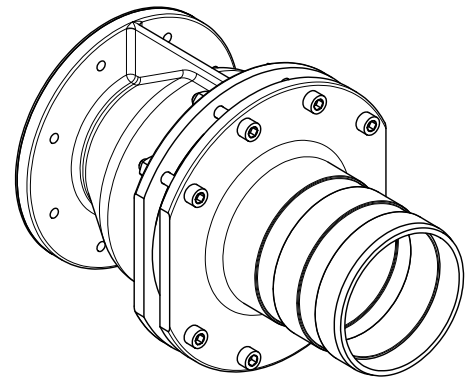


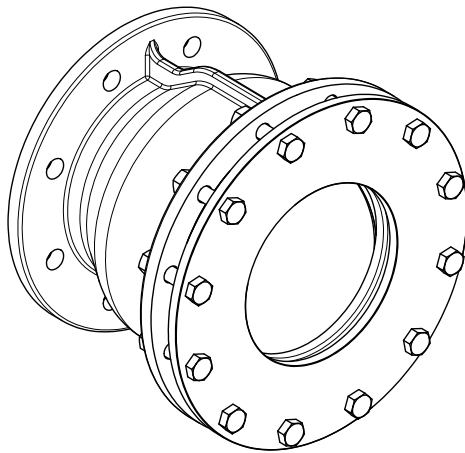
ORIGINAL INSTRUCTIONS



CHECK VALVE UNIT DN125 PN6



CHECK VALVE UNIT DN150 PN6



CHECK VALVE UNIT DN250 PN6

TECHNICAL DATA SHEET

CODE 14933 Z8G B0

CODE 14933 Z2F B0

CODE 14933 037 C0

COMPANY WITH
QUALITY SYSTEM
CERTIFIED BY DNV GL
= ISO 9001 =

1. General warnings

This technical sheet contains technical information relating to the clapet check valve units installed along the vacuum line.

Complying with the instructions contained in this technical data sheet is crucial for the recognition of warranty against defective parts. Upon receiving the goods, ensure that they are intact and have not been accidentally damaged during transport. In the event parts of the accessory must be replaced, **use only genuine spare parts**.

2. Technical data

The check valve units presented within this technical sheet are made up of a clapet valve, available in the DN125, DN150 and DN250 versions, which are fitted with a manifold and a flange for connection to the suction hose.

The check valve units are made up of a disk, constrained at one end to a guide, which allows the passage of fluid flow in one direction, while it prevents backflow in the opposite direction.

The check valve units are predisposed to typically be installed in correspondence of the suction line of vacuum pumps: in this configuration, when there is no longer the vacuum condition created by the decompressor, backflow is prevented along the line, thus maintaining depression.

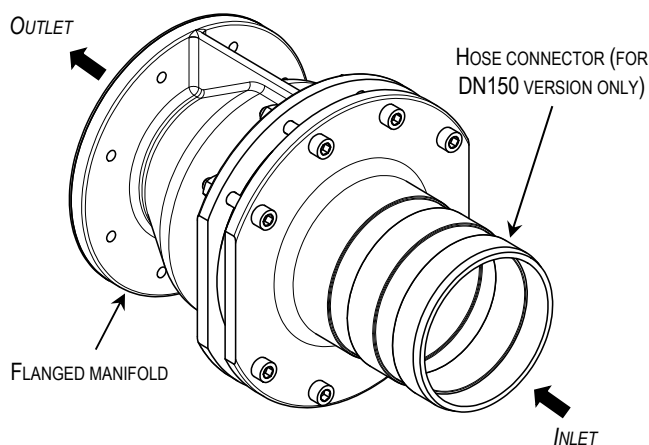
The following figure shows a schematic diagram of one of the available suction units.

The suction units are available in three versions:

- **Check valve unit DN125 PN6** (cod. 14933 Z8G B0);
- **Check valve unit DN150 PN6** (code 14933 Z2F B0);
- **Check valve unit DN250 PN6** (code 14933 037 C0).

All versions are equipped with a flanged manifold in correspondence of the outlet. In correspondence of the inlet there are instead various types of connections, depending on the version (see the figures relating to the dimensions given further on).

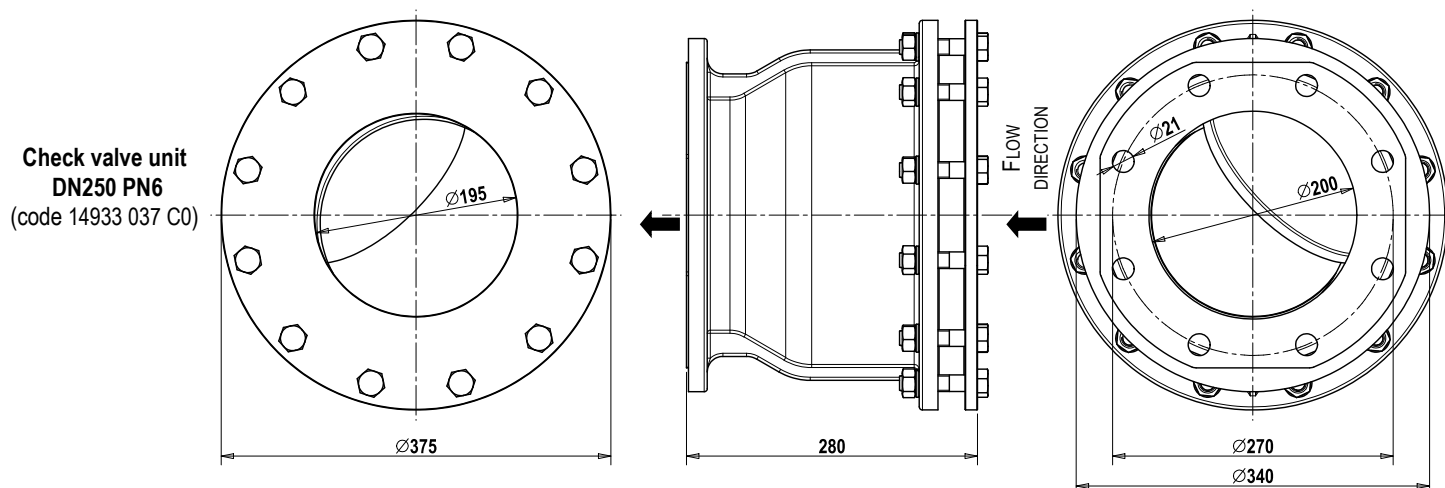
The table below indicates the main operating parameters, such as air flow, maximum operating pressure and weight.



Operating parameters

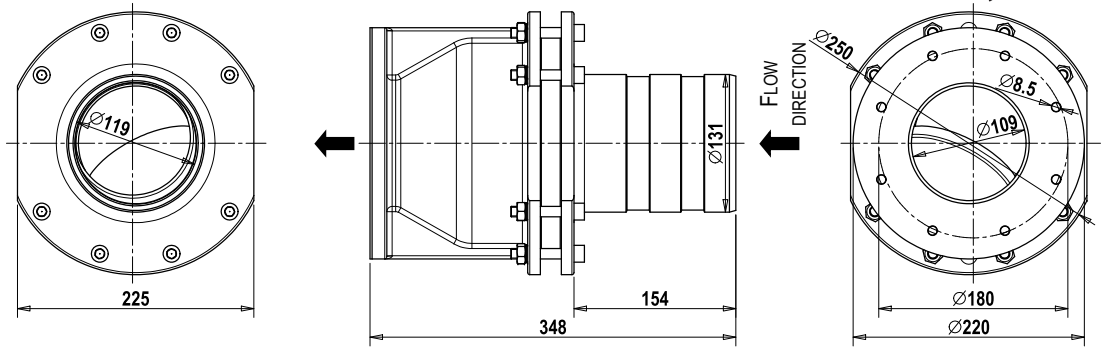
Parameter	Check valve unit DN125 PN6 (code 14933 Z8G B0)	Check valve unit DN150 PN6 (code 14933 Z2F B0)	Check valve unit DN250 PN6 (code 14933 037 C0)
MAXIMUM AIR FLOW RATE	1300 m ³ /h	2400 m ³ /h	6500 m ³ /h
MAX OPERATING PRESSURE	6 bar	6 bar	6 bar
WEIGHT	12.1 Kg	14.1 Kg	31.9 Kg

The figures below illustrate the dimensions of the three available check valve units.

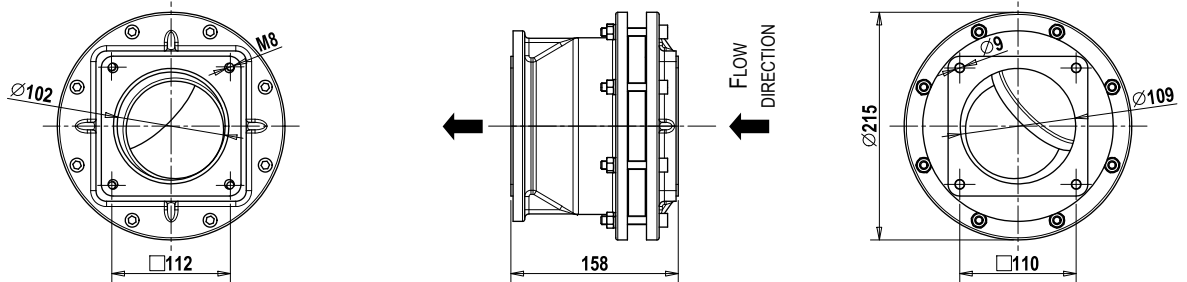


Weldable flange (pos. 1 in spare parts bill of materials) made of **S235JR Carbon Steel**.

**Check valve unit
DN150 PN6
(code 14933 Z2F B0)**



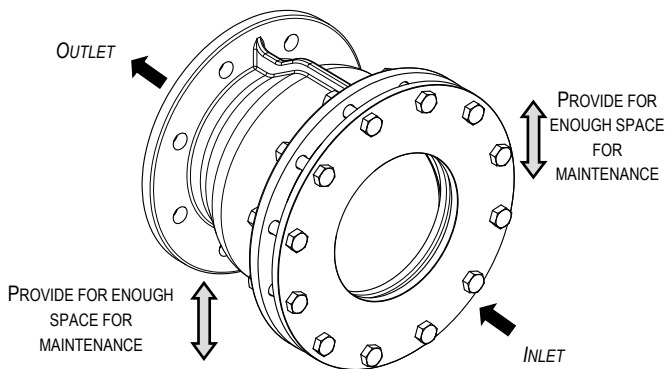
**Check valve unit
DN125 PN6
(cod. 14933 Z8G B0)**



3. Installation

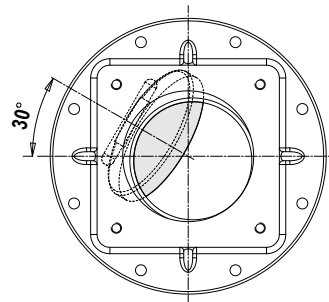
The check valve unit is designed to be installed in all conditions in which fluid flow must be admitted in one direction (e.g. towards the aspirator) and cut-off in the opposite direction.

The installation directions shown in the figure below and in the previous figures must therefore be complied with.

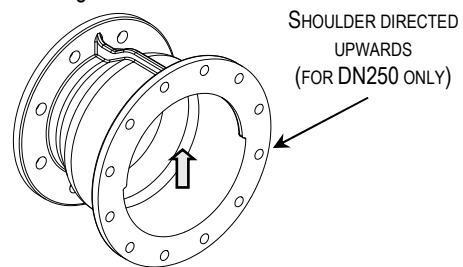


Maintenance of the check valve unit may require access to it to replace the ORs and clapet valve: it is therefore recommended to **position the valve unit in easily accessible areas**, to allow easy maintenance.

During installation it is recommended to direct the clapet axis by 30° with respect to the horizontal. This configuration allows to limit the pressure required to open the valve during the initial suction stage.



For version DN250 respect the orientation of the manifold shoulder as shown in the figure.



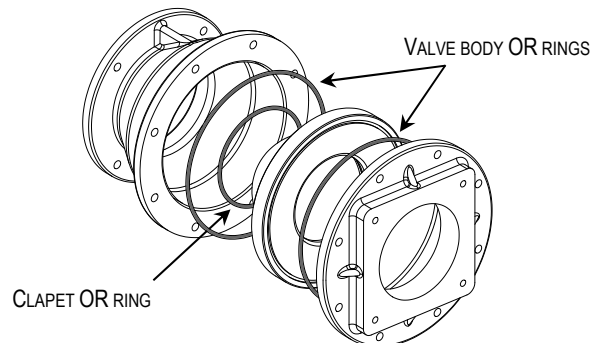
4. Maintenance

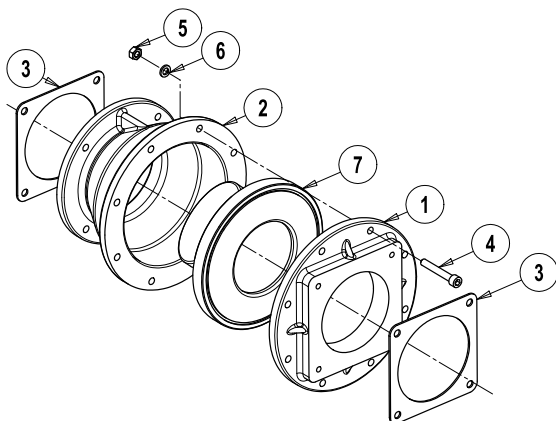
In order to prevent valve breakages from causing the introduction of foreign bodies inside the pump, it is recommended to comply with the maintenance intervals shown below.

Replace the OR rings of the clapet valve on a yearly basis, in order to ensure perfect seal of the suction line.

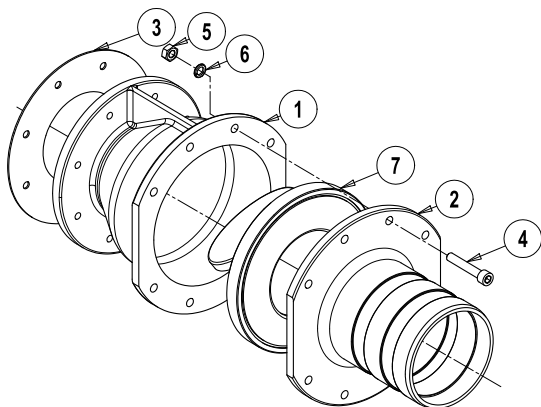
Every three years of operation, replace the **clapet valve unit**, the screws and relative washers.

The figure to the side highlights the three OR rings present on the valve.

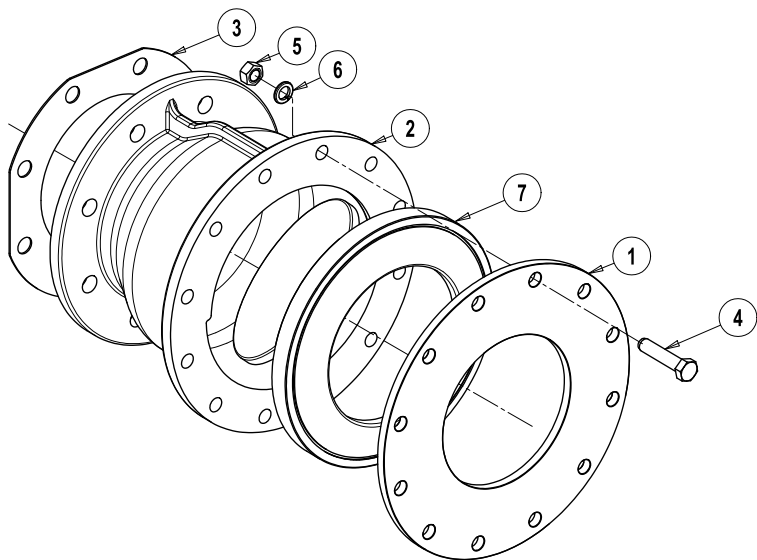


CHECK VALVE UNITS
Check valve unit DN125 PN6 - code 14933 Z8G B0


Pos.	Code	Description	Q.ty
1	1610510500	CLAPET MANIFOLD FLANGE (CAST IRON)	1
2	1627506500	CLAPET MANIFOLD FL. DN125 (CAST IRON)	1
3	1680609100	VALVE GASKET	2
4	4026120411	TCEI SCREW 8.8 M8X55	8
5	4026308005	GALVANISED HEX NUT M8	8
6	4026350606	FLAT GROWER WASHER M8	8
7	4027400413	GALV. CLAPET VALVE DN125 PN6 G. VITON	1

Check valve unit DN150 PN6 - code 14933 Z2F B0


Pos.	Code	Description	Q.ty
1	1627104000	CLAPET MANIFOLD (ALUMINIUM)	1
2	1627104100	HOSE CONNECTOR (ALUMINIUM)	1
3	1680613900	GASKET	1
4	4026121815	GALVANISED SCREW TCEI 8.8 M10X60	8
5	4026308006	GALVANISED HEX NUT M10	8
6	4026350708	GALV. FLAT SECT. GROWER WASHER 10	8
7	4027400414	GALV. CLAPET VALVE DN150 PN6 G. VITON	1

Check valve unit DN150 PN6 - code 14933 037 C0


Pos.	Code	Description	Q.ty
1	16100KKDB0	FLANGE DN250 PN6 (CARBON STEEL)	1
2	1627105000	CLAPET MANIFOLD (ALUMINIUM)	1
3	1680711800	GASKET DN175 PN10	1
4	4026103217	HEX SCREW 8.8 M16X75	12
5	4026308009	GALVANISED HEX NUT M8	12
6	4026350711	GALV. FLAT SECT. GROWER WASHER 16	12
7	4027400416	GALV. CLAPET VALVE DN250 PN6 G. VITON	1