

ORIGINAL INSTRUCTIONS



TECHNICAL DATA SHEET

COD. 18521 9N7 B0
COD. 18521 CNG B0
COD. 18521 2L4 B0
COD. 18521 086 E0
COD. 18521 092 E0

COD. 18521 005 E0
COD. 18521 002 E0



COMPANY WITH
QUALITY SYSTEM
CERTIFIED BY DNV GL
= ISO 9001 =

1. General warnings

This technical data sheet gives all the technical information concerning the suction units equipped with filter that can be installed on various JUROP pumps.

Complying with the instructions contained in this technical data sheet is crucial for the recognition of warranty against defective parts. Upon receiving the goods, ensure that they are intact and have not been accidentally damaged during transport. In the event parts of the accessory must be replaced, **use only genuine spare parts.**

2. Technical data

The suction units described in this technical data sheet consist of an air filter onto which are installed a rear flange to connect to the intake piping and a side manifold (connected to the outlet from the filter), duly flanged for installation on various types of JUROP pumps.

The suction units code 18521 002 E0 and code 18521 005 E0 are designed to be installed on RVC JUROP pumps.

The suction units described in this technical data sheet are designed to be installed in correspondence of the intake line (in the proximity of the suction device) of air decompressors. These suction units are designed to be connected directly to the vacuum pump through the flanged manifold. The suction units prevent foreign bodies (with dimensions greater than the degree of filtration of the filtering cartridge) from entering inside the pumping system.

The following table indicates the JUROP pumps suitable for being coupled to the various types of suction filters.

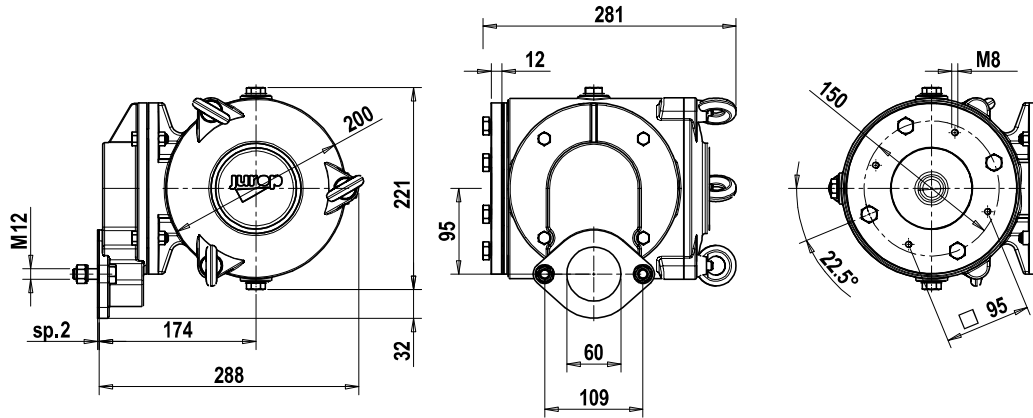
CODE	18521 9N7 B0	18521 CNG B0	18521 2L4 B0	18521 086 E0	18521 092 E0	18521 005 E0	18521 002 E0
PN 45-58-84-106	•						
PN 130-140-155-155R			•				
PNR/E 73-83	•						
PNR/E 104-124 - PNR 142			•				
R 260	•						
LC 300		•					
LC 420-580			•				
LC 750				•			
RV 360		•					
RV 520			•				
RVC 210						•	
RVC 360							•
DL 75-95-125		•					
DL 150-180			•				
DL 220-250-270-300				•			
JULIA + LC 750, ITALIA + DL 220-...-300					•		

All versions are equipped with an aluminium filter housing (having a stainless steel cartridge), a side flanged aluminium manifold and a rear steel flange. The filter body and the cover of suction units code 18521 002 E0 and 18521 005 E0 are made of aluminium alloy (SG AlCu3 UNI7369/74) through mould casting. The filter cartridge is made of stainless steel.

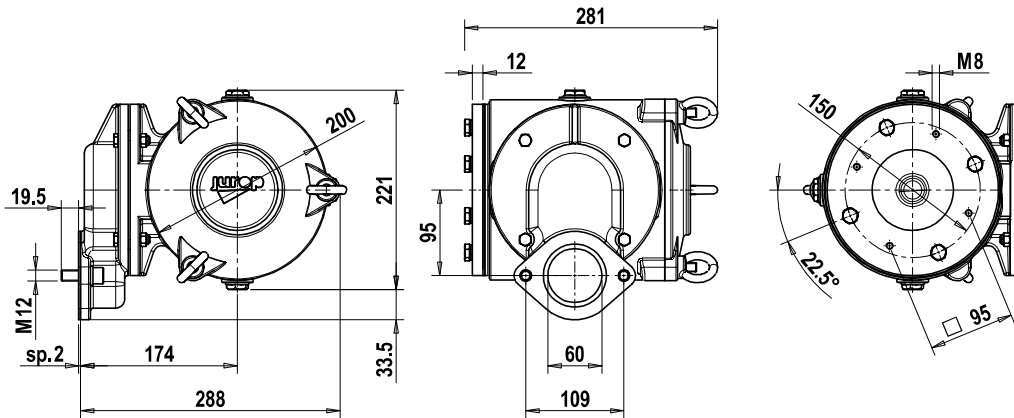
The following table shows operating parameters.

CODE	18521 9N7 B0	18521 CNG B0	18521 2L4 B0	18521 086 E0	18521 092 E0	18521 005 E0	18521 002 E0
Maximum operating pressure	-1 / +0.5 bar	-1 / +0.5 bar	-1 / +0.5 bar	-1 / +0.5 bar	-1 / +0.5 bar	-1 / +0.5 bar	-1 / +0.5 bar
Calculation pressure	-1 / +4 bar	-1 / +4 bar	-1 / +4 bar	-1 / +4 bar	-1 / +4 bar	-1 / +4 bar	-1 / +4 bar
Maximum air flow rate	1300 m ³ /h	1300 m ³ /h	1300 m ³ /h	3600 m ³ /h	3600 m ³ /h	480 m ³ /h	1300 m ³ /h
	21600 l/min	21600 l/min	21600 l/min	60000 l/min	60000 l/min	8000 l/min	21600 l/min
Weight	10 kg	10,5 kg	10,5 kg	21 kg	23 kg	4 kg	12 kg
Degree of filtration	MESH 55, mesh hole ø 0.3mm (a 300 µm)						

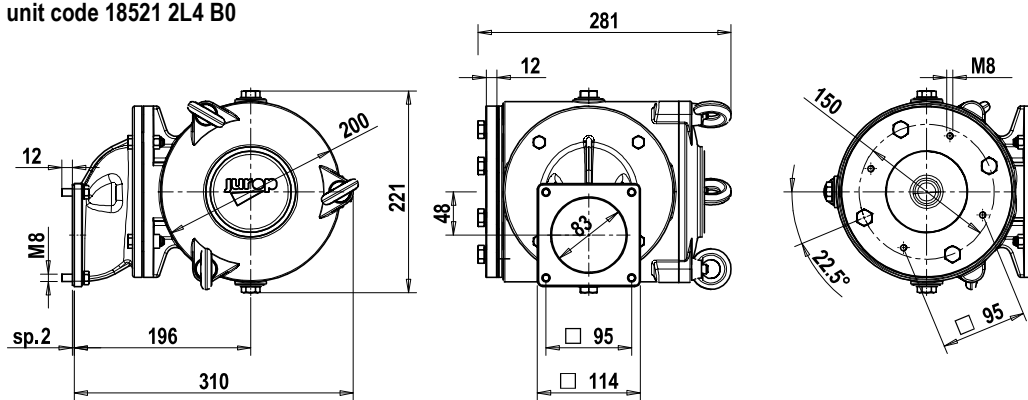
Filter suction unit code 18521 9N7 B0



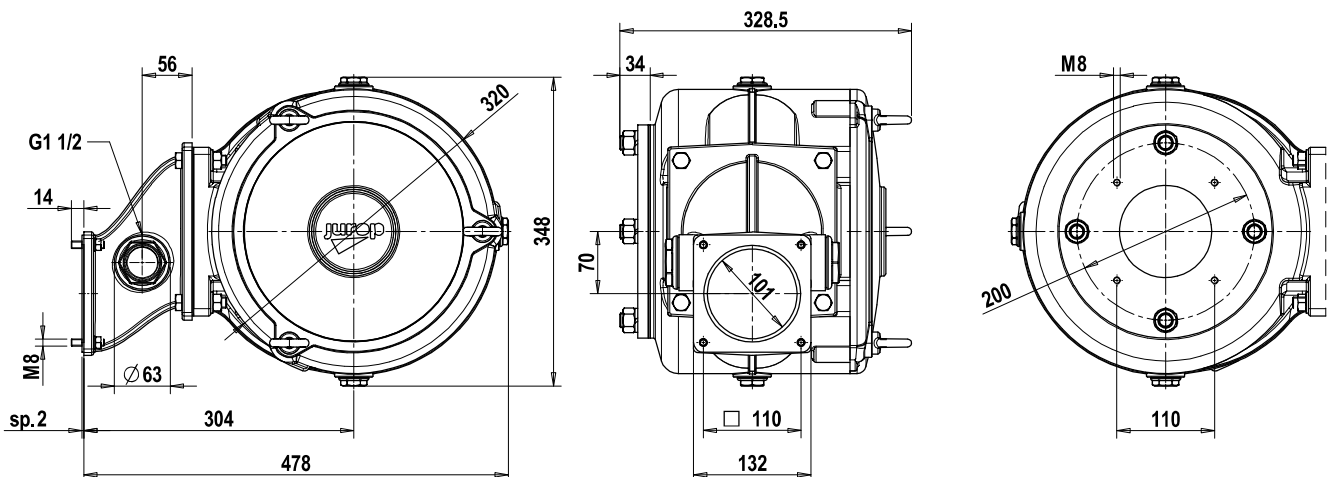
Filter suction unit code 18521 CNG B0



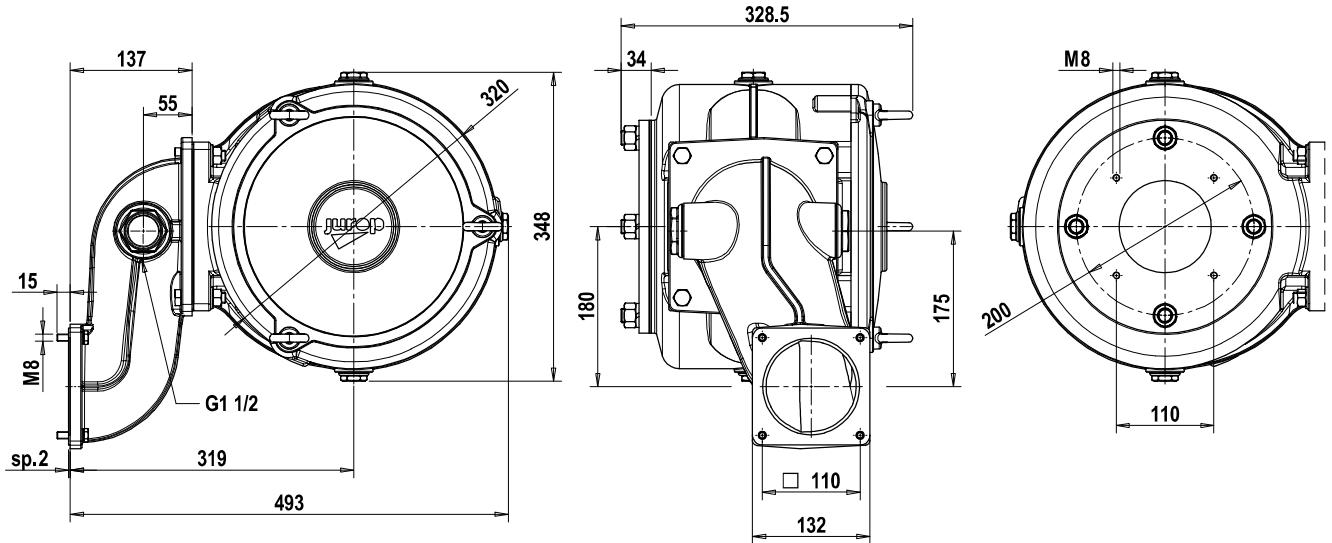
Filter suction unit code 18521 2L4 B0



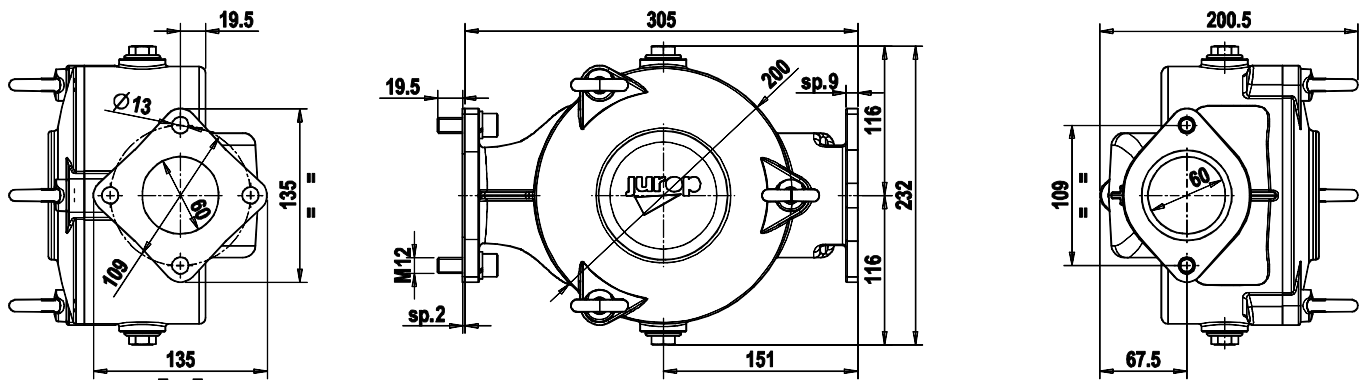
Filter suction unit code 18521 086 E0



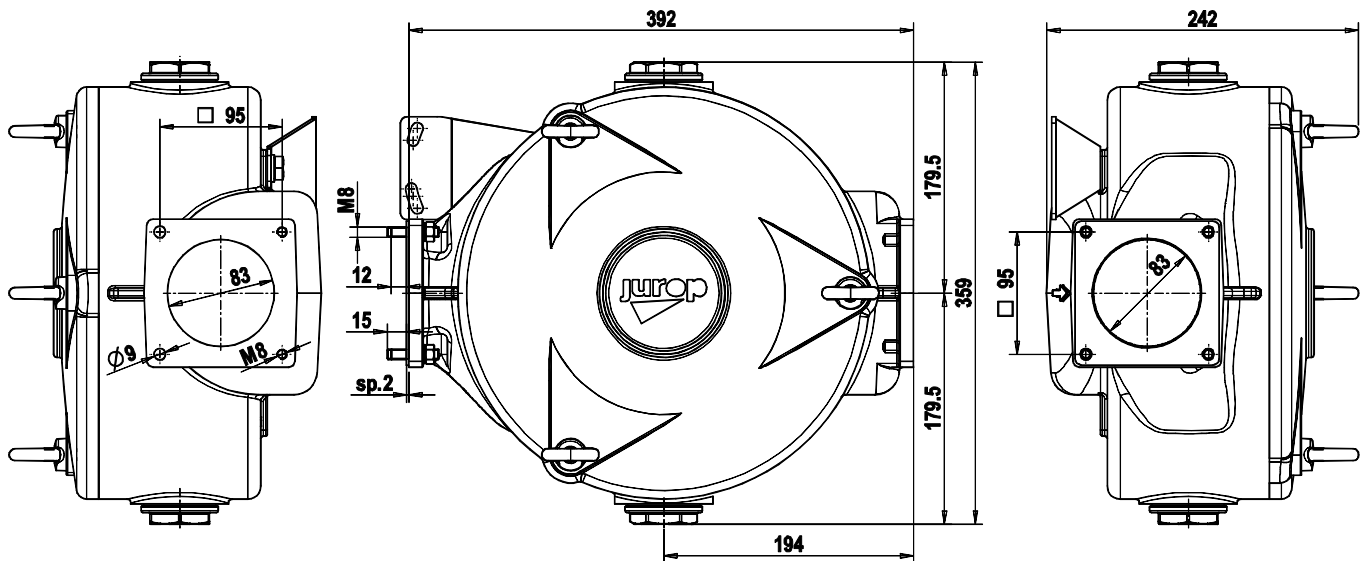
Filter suction unit code 18521 092 E0



Filter suction unit code 18521 005 E0



Filter suction unit code 18521 002 E0



3. Installation

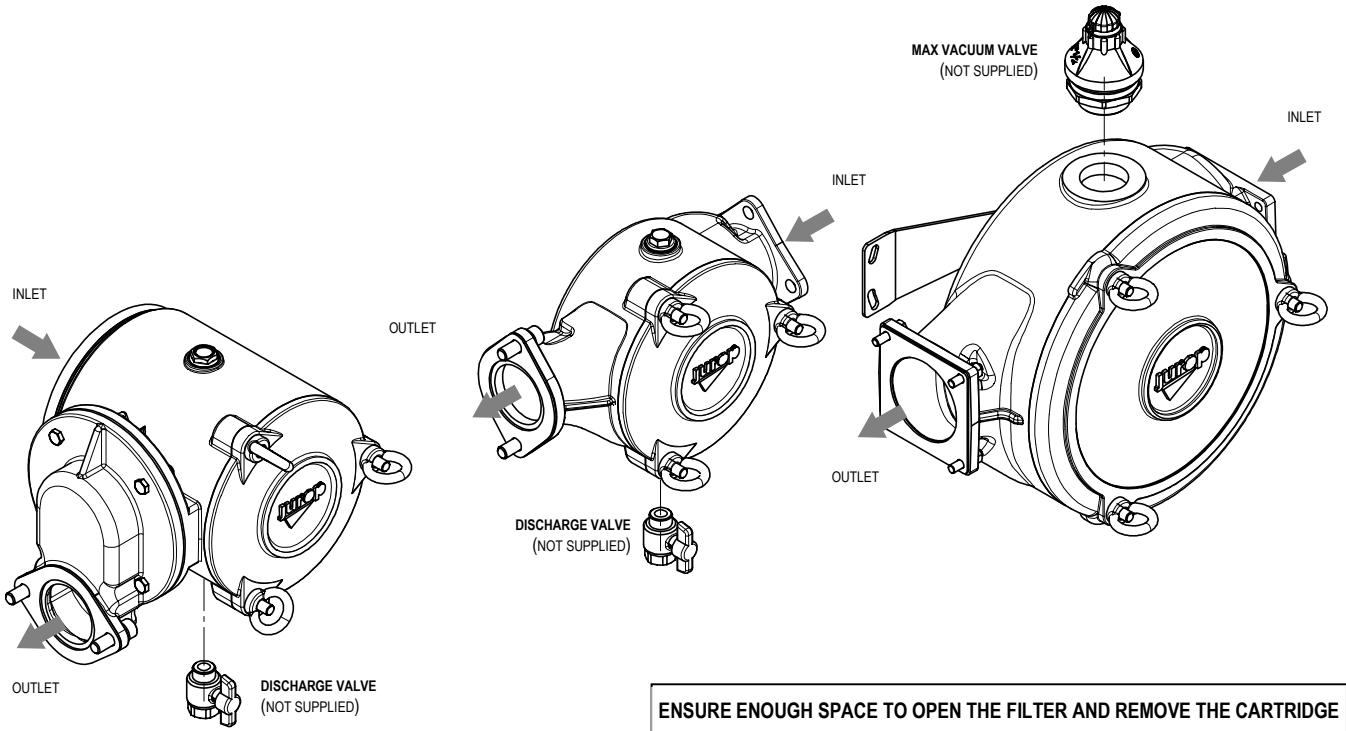
The suction unit must be installed in correspondence of the intake line in the proximity of the decompressor.

The filter cleaning (or replacement) frequency can vary according to its use; this is why we recommend **placing the suction unit in an easily accessible location**, to simplify maintenance. In correspondence of the filter, the lower drain G $\frac{1}{2}$ " and G1 $\frac{1}{2}$ " (Filter 18521 002 E0), must also be easily accessible to allow draining any liquid inside the filter (condensate). Should a drain valve be installed, it must ensure the tightness of the duct.

During the winter season, the liquid contained in the filter must be drained during downtime.

FILTER SUCTION UNITS PN, PNR, LC, RV, DL

FILTER SUCTION UNITS RVC210-360



4. Maintenance

Under ordinary use conditions, we recommend cleaning the filter on a weekly basis. In the event of heavy-duty conditions, clean (or replace) the cartridge every time the line performance appears to be compromised.

The filter must be cold cleaned.

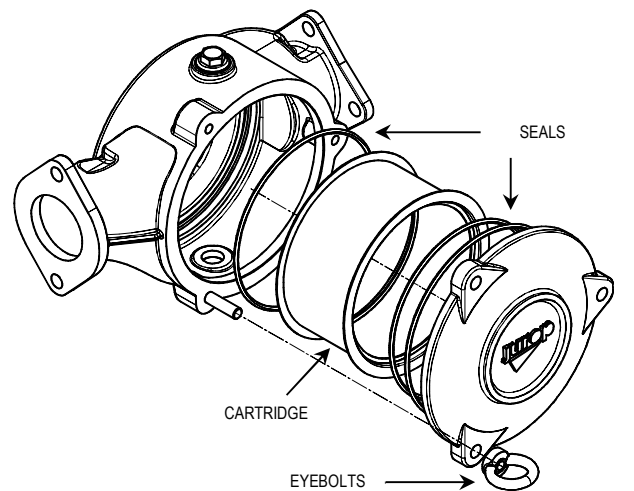
For routine maintenance proceed as follows:

- Loosen the three eyebolts and remove/open the cover.
- Extract the filtering cartridge and the relative seals, clean with detergent and blow compressed air until clean. We recommend using non-flammable detergents with passivating and protective properties.

Recover the liquid detergent and dispose of it in compliance with the standards in force.

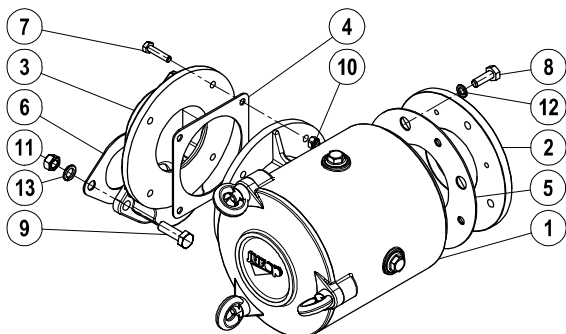
- Dry the cartridge and the entire filter well.
- Reinstall the previously removed components taking care to place the seals correctly.

The following figure shows a schematic diagram of the maintenance procedure.



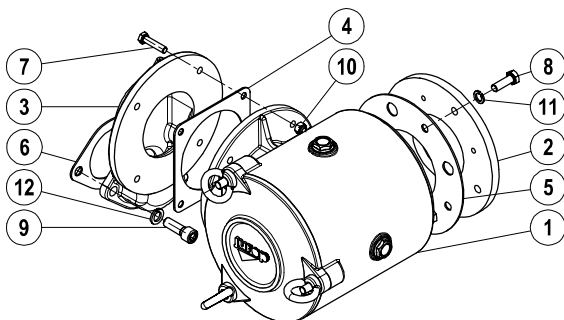
FILTER SUCTION UNIT

Filter suction unit code 18521 9N7 B0



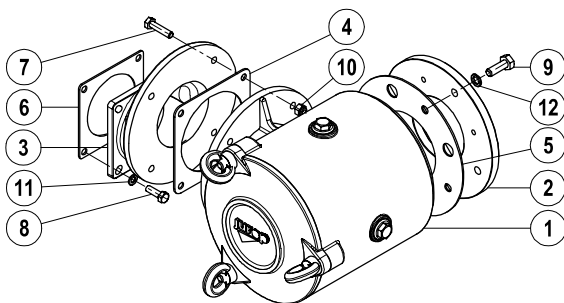
Pos.	Code	Description	Q.ty
1	1445002900	SMALL AIR AND WATER FILTER HOUSING	1
2	1610051600	SUCTION FILTER FLANGE	1
3	1627104500	FILTER MANIFOLD	1
4	1680609100	4-WAY TAP SEAL	1
5	1680609200	IN/OUTLET SEAL	1
6	1680614400	MANIFOLD SEAL	1
7	4026102801	SCREW TE8,8 M8X35 GALV.	4
8	4026102908	SCREW TE8,8 M10X30 GALV.	4
9	4026103004	SCREW TE8,8 M12X40 GALV.	2
10	4026305504	SELF-LOCKING NUT M8	4
11	4026308007	NUT M12	2
12	4026350708	WASHER GROWER M10 GALV.	2
13	4026350709	WASHER GROWER M12 GALV.	4

Filter suction unit code 18521 CNG B0



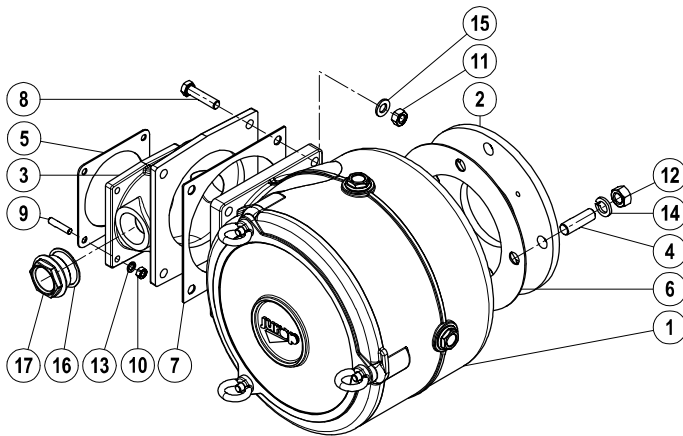
Pos.	Code	Description	Q.ty
1	1445002900	SMALL AIR AND WATER FILTER HOUSING	1
2	1610051600	SUCTION FILTER FLANGE	1
3	1627104500	FILTER MANIFOLD	1
4	1680609100	4-WAY TAP SEAL	1
5	1680609200	IN/OUTLET SEAL	1
6	1680614500	MANIFOLD SEAL	2
7	4026102801	SCREW TE8,8 M8X35 GALV.	4
8	4026102908	SCREW TE8,8 M10X30 GALV.	4
9	4026121710	SCREW TCEI 8,8 M12X35 GALV.	2
10	4026305504	SELF-LOCKING NUT M8	4
11	4026350708	WASHER GROWER M10 GALV.	4
12	4026350709	WASHER GROWER M12 GALV.	2

Filter suction unit code 18521 2L4 B0



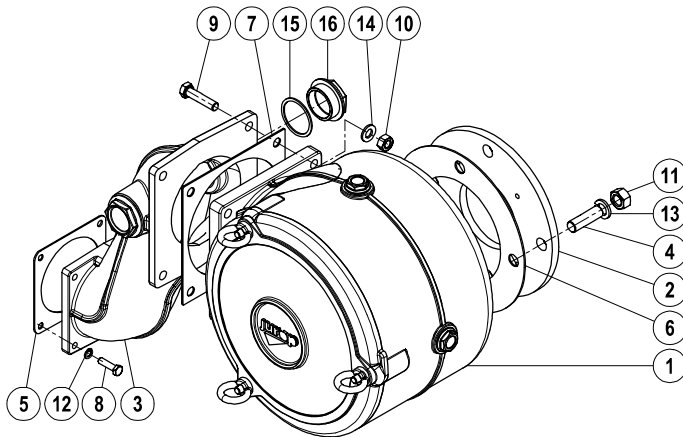
Pos.	Code	Description	Q.ty
1	1445002900	SMALL AIR AND WATER FILTER HOUSING	1
2	1610051600	SUCTION FILTER FLANGE	1
3	1627104400	FILTER MANIFOLD	1
4	1680609100	4-WAY TAP SEAL	1
5	1680609200	IN/OUTLET SEAL	1
6	1680709900	MANIFOLD SEAL	1
7	4026102801	SCREW TE8,8 M8X35 GALV.	4
8	4026102807	SCREW TE8,8 M8X25 GALV.	4
9	4026102908	SCREW TE8,8 M10X30 GALV.	4
10	4026305504	SELF-LOCKING NUT M8	4
11	4026350706	WASHER GROWER M8 GALV.	4
12	4026350708	WASHER GROWER M10 GALV.	4

Filter suction unit code 18521 086 B0



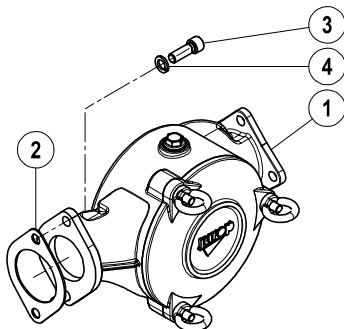
Pos.	Code	Description	Q.ty
1	1445003200	AIR AND WATER FILTER D220	1
2	16100D65C0	SUCTION FILTER FLANGE	1
3	16271028E0	FILTER MANIFOLD	1
4	1672001700	STUD SCREW M 16X52	4
5	1680609100	MANIFOLD SEAL	1
6	1680609500	IN/OUTLET SEAL	1
7	1680609600	4-WAY TAP SEAL	1
8	4026103006	SCREW TE 8.8 M12X50 GALV.	4
9	4026171602	STUD SCREW M8X25 GALV.	4
10	4026308005	NUT M8 GALV.	4
11	4026308007	NUT M12 GALV.	4
12	4026308009	NUT M16 GALV.	4
13	4026350706	WASHER GROWER 8 GALV.	4
14	4026350711	WASHER GROWER 16 GALV.	4
15	4026357007	WASHER M12 GALV.	4
16	4026702708	WASHER 1"1/2	2
17	4026904005	PLUG 1"1/2 GALV.	2

Filter suction unit code 18521 092 B0



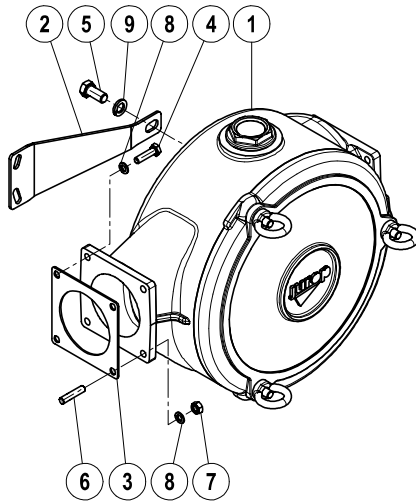
Pos.	Code	Description	Q.ty
1	1445003200	AIR AND WATER FILTER D220	1
2	16100D65C0	SUCTION FILTER FLANGE	1
3	16271033E0	FILTER MANIFOLD	1
4	1672001700	STUD SCREW M 16X52	4
5	1680609100	MANIFOLD SEAL	1
6	1680609500	IN/OUTLET SEAL	1
7	1680609600	4-WAY TAP SEAL	1
8	4026102808	SCREW TE 8.8 M8X30 GALV.	4
9	4026103006	SCREW TE 8.8 M12X50 GALV.	4
10	4026308007	NUT M12 GALV.	4
11	4026308009	NUT M16 GALV.	4
12	4026350706	WASHER GROWER 8 GALV.	4
13	4026350711	WASHER GROWER 16 GALV.	4
14	4026357007	WASHER M12 GALV.	4
15	4026702708	WASHER 1"1/2	2
16	4026904005	PLUG 1"1/2 GALV.	2

Filter suction unit code 18521 005 E0



Pos.	Code	Description	Q.ty
1	14450002E0	AIR FILTER HOUSING RVC210	1
2	1680614500	FILTER MANIFOLD SEAL	1
3	4026121710	SCREW TCEI 8.8 M12X35 GALV.	2
4	4026350709	WASHER GROWER 12 GALV.	2

Filter suction unit code 18521 002 E0



Pos.	Code	Description	Q.ty
1	14450001E0	AIR FILTER HOUSING RVC360	1
2	16120127E0	BRACKET	1
3	1680709900	FILTER MANIFOLD SEAL	1
4	4026102808	SCREW TE 8.8 M8X30 GALV.	2
5	4026103001	SCREW TE 8.8 M12X25 GALV.	1
6	4026171602	STUD SCREW M8X25 GALV.	2
7	4026308005	NUT M8 GALV.	2
8	4026350706	WASHER GROWER 8 GALV.	4
9	4026350709	WASHER GROWER 12 GALV.	1