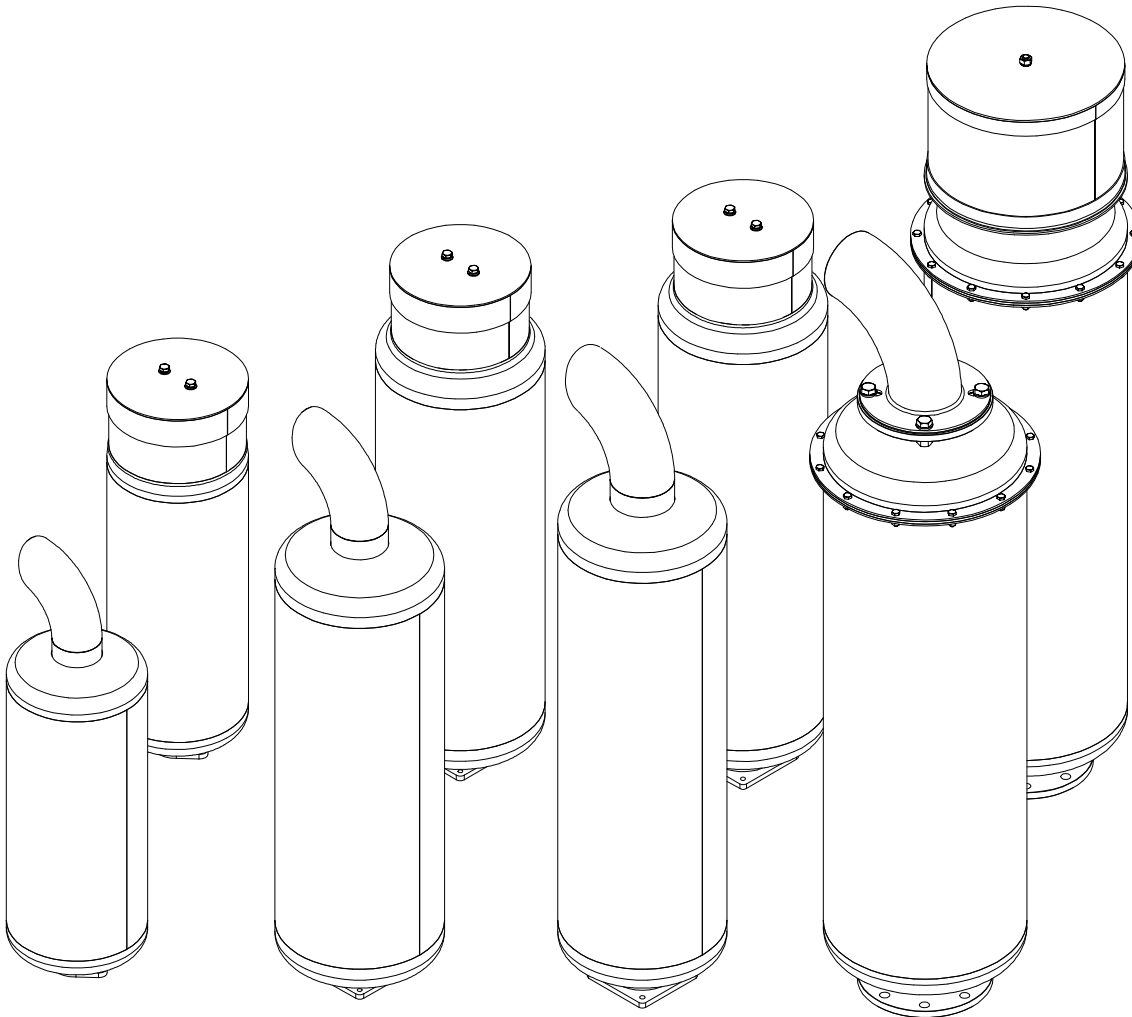


ORIGINAL INSTRUCTIONS



DL75-95-125

DL150-180

DL220-...-300

DL320-400

TECHNICAL DATA SHEET



1. General warnings

This technical data sheet contains technical information concerning silencers for DL series lobe vacuum pumps and the main installation and maintenance instructions.

Complying with the instructions contained in this technical data sheet is crucial for the warranty on defective parts. Upon receiving the goods, ensure that they are intact and have not been accidentally damaged during transport. In the event parts of the accessory must be replaced, **only use original spare parts.**

2. Technical data

DL silencers are designed to be installed in correspondence with the discharge or injection line of lobe vacuum pumps without lubrication (typically of the DL Series), used to create a vacuum inside tanks.

DL silencers carry out two main functions:

- Attenuate the noise produced by decompressor operation;
- Filter the suctioned air (at injection) in order to prevent powdery particles over a determined size from entering the pump, thus compromising its operation.

DL silencers are available in four categories:

- **DL 75-95-125 silencer**, made of painted S235JR Mild steel and Stainless Steel AISI 304L;
- **DL 150-180 silencer**, made of painted S235JR Mild steel and Stainless Steel AISI 304L;
- **DL 220-250-270-300 silencer**, made of painted S235JR Mild steel and Stainless Steel AISI 304L;
- **DL 320-400 silencer**, made of painted S235JR Mild steel and Stainless Steel AISI 304L.

Each category has the following two types:

- **Filtered:** for injection installation;
- **Non-filtered:** for discharge installations.

All silencers are equipped with coupling flanges.

The figure displays a schematic diagram of two silencers, highlighting the main features.

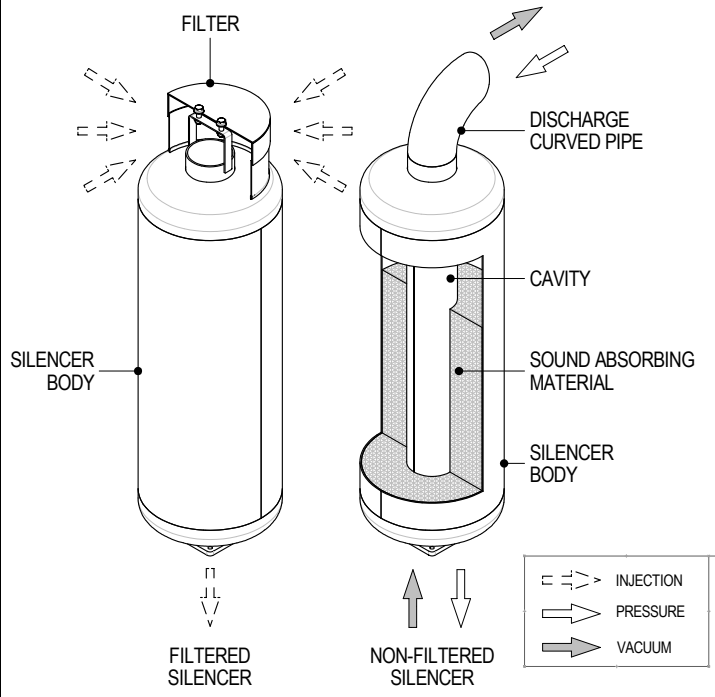


Fig. 2.1

The following table shows the main operation parameters, of the available silencers.

Model	Flow Rate	Installation	Code	Material	Weight
DL 75-95-125 SILENCER	483-744 m³/h	INJECTION	1445004700	Painted S235JR Mild Steel	22,0 kg
			1445005100	Stainless Steel AISI 304L	21,0 kg
		DISCHARGE	1547004900	Painted S235JR Mild Steel	19,5 kg
			1547005200	Stainless Steel AISI 304L	18,5 kg
DL 150-180 SILENCER	950-1056 m³/h	INJECTION	1445004010	Painted S235JR Mild Steel	33,0 kg
			1445005210	Stainless Steel AISI 304L	33,0 kg
		DISCHARGE	1547005000	Painted S235JR Mild Steel	31,0 kg
			1547005300	Stainless Steel AISI 304L	31,0 kg
DL 220-250-270-300 SILENCER	1300-1800 m³/h	INJECTION	1445004310	Painted S235JR Mild Steel	39,0 kg
			1445004600	Stainless Steel AISI 304L	36,0 kg
		DISCHARGE	1547005100	Painted S235JR Mild Steel	37,5 kg
			1547005400	Stainless Steel AISI 304L	34,5 kg

Model	Flow Rate	Installation	Code	Material	Weight
DL 320-400 SILENCER	1890-2160 m³/h	INJECTION	1414014300	Painted S235JR Mild Steel	66,0 kg
			1414014500	Stainless Steel AISI 304L	71,0 kg
		DISCHARGE	1414014200	Painted S235JR Mild Steel	56,0 kg
			1414014400	Stainless Steel AISI 304L	61,0 kg

3. Installation

DL silencers are designed to be installed in correspondence with the discharge and injection line (depending on the choice of model) of lobe vacuum pumps (without lubrication).

To ensure attenuation of the noise produced by the decompressor, we recommend installing the silencer as close as possible to it and minimising the hose sections in the line.

The figure on the side shows a schematic diagram of a possible correct installation of silencers for a standard DL100 pump (the indicated flows refer to decompressor suction operation). In order to be installed correctly, silencers must be supported by means of clamping points, e.g., with metal clamps (refer to the figure on the side), or with special support systems.

The discharge silencer (when assailed by decompressor discharge airflows) is subjected to the passage of high-temperature air that may cause overheating.

Attention: direct the silencer discharge output away from the silencer suction inlet in order to prevent the input of hot fluids into the injection inlet.

DL series silencers are designed to be installed vertically. Different types of installation must be agreed upon with Jurop.

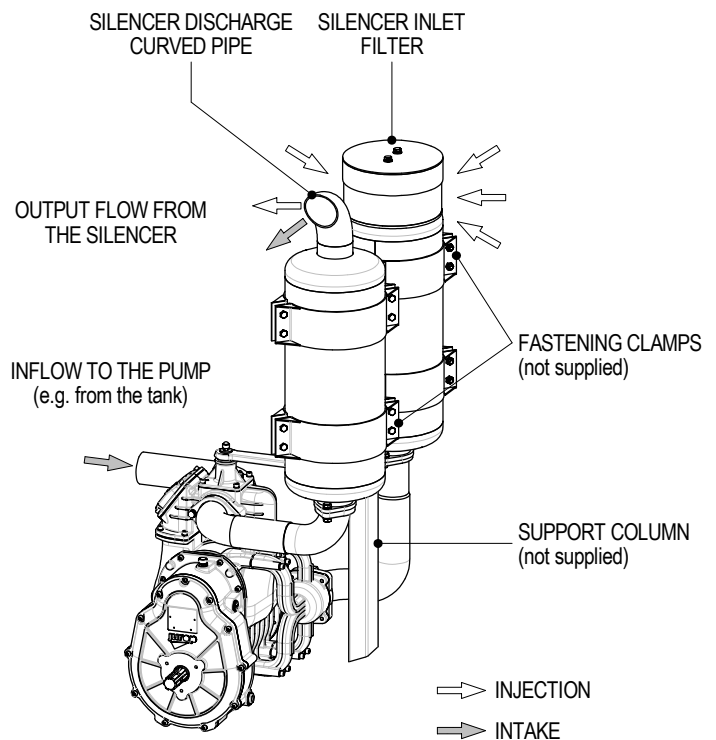


Fig. 3.1

Attention: place the silencer out of the reach of operators or provide suitable guards.

An adjustable curved pipe is installed on the outlet of the silencer, in order to prevent rain from entering and to enable positioning (during installation) of the output airflow.

Pay special attention to the fumes suctioned by the vacuum pump and emitted through the silencer.

Attention: direct the silencer discharge away from operators and from the intake duct of the vehicle engine.

Direct the silencer discharge output away from the silencer suction inlet in order to prevent the input of hot fluids into the injection inlet.

DL SILENCERS

Pos.	Code	Description	Q.ty	Pos.	Code	Description	Q.ty
1	15130RJVBO	MILD STEEL CLAMP D.250	2	8	1680711200	GASKET DL150-180 SILENCER	1
	15130GJVBO	STAINLESS STEEL CLAMP D.250	2		168079XIBO	GASKET DL220-...-300 SILENCER	1
2	15130RJUBO	IRON CLAMP D.250 WITH SUPPORT	2	9	15130165B0	MILD STEEL CLAMP D.360	2
	-	INOX CLAMP D.250 WITH SUPPORT	2		1513020000	STAINLESS STEEL CLAMP D.360	2
3	1610003500	FLANGE Ø70	1	10	15130164B0	IRON CLAMP D.360 WITH SUPPORT	2
4	1680614500	GASKET	1		15130YAPA0	INOX CLAMP D.360 WITH SUPPORT	2
5	1513003IBO	MILD STEEL CLAMP D.300	2	11	4026713008	IRON FLANGE DN125 PN6 SP.14	1
	1513042400	STAINLESS STEEL CLAMP D.300	2		4026713708	INOX FLANGE DN125 PN6 SP.15	1
6	15130ZURA0	IRON CLAMP D.300 WITH SUPPORT	2	12	16807X86A0	GASKET DN125 PN6	1
	-	INOX CLAMP D.300 WITH SUPPORT	2				
7	16100WRXB0	FLANGE DL150-180 SILENCER	1				
	161009XMB0	FLANGE DL220-...-300 SILENCER	1				

The accessories are available upon request and do not include nuts and bolts.

